

Rack Installation Guide

Guide d'installation du rack

Rack-Installationsanleitung

ラック取り付けガイド

Guía de instalación del rack

Rack Installation Guide

Notes, Notices, and Cautions



NOTE: A NOTE indicates important information that helps you make better use of your computer.



NOTICE: A NOTICE indicates either potential damage to hardware or loss of data and tells you how to avoid the problem.



CAUTION: A CAUTION indicates a potential for property damage, personal injury, or death.

Information in this document is subject to change without notice.

© 2005 Dell Inc. All rights reserved.

Reproduction in any manner whatsoever without the written permission of Dell Inc. is strictly forbidden.

Trademarks used in this text: *Dell*, the *DELL* logo, *RapidRails*, and *VersaRails* are trademarks of Dell Inc.

Other trademarks and trade names may be used in this document to refer to either the entities claiming the marks and names or their products. Dell Inc. disclaims any proprietary interest in trademarks and trade names other than its own

Contents

| | |
|---|-----------|
| Safety Instructions | 5 |
| SAFETY: Rack Mounting of Systems | 5 |
| Installation Instructions | 6 |
| Before You Begin | 6 |
| Important Safety Information | 6 |
| Rack Requirements for VersaRails | 6 |
| Four-Post Rack Installation | 7 |
| Rack Stabilizer Feet | 7 |
| Recommended Tools and Supplies | 7 |
| RapidRails Rack Kit Contents | 8 |
| VersaRails Rack Kit Contents | 8 |
| Installation Tasks | 9 |
| Removing the Rack Doors | 10 |
| Marking the Rack | 10 |
| Installing the Mounting Rails in the Rack | 12 |
| Installing and Removing Chassis Static Rail Modules | 14 |
| Installing the System in the Rack | 15 |
| Installing the Releasable Tie Wraps | 17 |
| Removing the System From the Rack | 18 |
| Replacing the Rack Doors | 18 |
| Two-Post Rack Installation | 18 |
| Recommended Tools and Supplies | 19 |
| Rack Kit Contents | 19 |
| Installation Tasks | 20 |
| Marking the Rack | 20 |
| Installing the Mounting Rails | 22 |
| Installing the System in the Rack | 26 |
| Installing the Releasable Tie Wraps | 26 |
| Index | 27 |

Figures

| | | |
|--------------|--|----|
| Figure 1-1. | RapidRails Rack Kit Contents | 8 |
| Figure 1-2. | VersaRails Rack Kit Contents | 9 |
| Figure 1-3. | One Rack Unit | 10 |
| Figure 1-4. | Marking the Vertical Rails | 11 |
| Figure 1-5. | Installing the RapidRails Mounting Rails | 13 |
| Figure 1-6. | Installing the VersaRails Mounting Rails | 14 |
| Figure 1-7. | Installing and Removing Static Rail Modules | 15 |
| Figure 1-8. | Installing the System in the Rack | 16 |
| Figure 1-9. | Installing the Releasable Tie Wraps | 17 |
| Figure 1-10. | Two-Post Rack Kit Components | 19 |
| Figure 1-11. | Two-Post, Open-Frame Relay Rack Universal-Hole Spacing | 20 |
| Figure 1-12. | Two-Post, Open-Frame Relay Rack Wide-Hole Spacing | 21 |
| Figure 1-13. | Installing the Mounting Rails for Center-Mount Configuration | 23 |
| Figure 1-14. | Configuring the Adjustable Mounting Bracket for Flush-Mount Installation | 24 |
| Figure 1-15. | Installing the Mounting Rails for Flush-Mount Configuration | 25 |


Safety Instructions


Use the following safety guidelines to ensure your own personal safety and to help protect your system and working environment from potential damage. For complete safety information, see the *Product Information Guide*.


SAFETY: Rack Mounting of Systems

Observe the following precautions for rack stability and safety.

Systems are considered to be components in a rack. Thus, "component" refers to any system as well as to various peripherals or supporting hardware.

 **CAUTION:** Before installing systems in a rack, install front and side stabilizers on stand-alone racks or the front stabilizer on racks joined to other racks. Failure to install stabilizers accordingly before installing systems in a rack could cause the rack to tip over, potentially resulting in bodily injury under certain circumstances. Therefore, always install the stabilizer(s) before installing components in the rack.

 **CAUTION:** After installing components in a rack, never pull more than one component out of the rack on its slide assemblies at one time. The weight of more than one extended component could cause the rack to tip over and injure someone.

 **NOTE:** Your system is safety-certified as a free-standing unit and as a component for use in a rack cabinet using the customer rack kit when both the rack cabinet and rack kit were designed for your system. The installation of your system and rack kit in any other rack cabinet has not been approved by any safety agencies. It is your responsibility to have the final combination of system and rack kit in a cabinet evaluated for suitability by a certified safety agency. The manufacturer disclaims all warranties and liability in connection with such combinations.

- System rack kits are intended to be installed in an approved rack by trained service technicians. If you install the kit in any other rack, be sure that the rack meets the specifications.
- Before working on the rack, make sure that the stabilizers are secured to the rack, and that the full weight of the rack rests on the floor. Install front and side stabilizers on a single rack or front stabilizers for joined multiple racks before working on the rack.
- Always load the rack from the bottom up, and load the heaviest item in the rack first.
- Make sure that the rack is level and stable before extending a component from the rack.
- Do not overload the AC power supply branch circuit that provides power to the rack. The total rack load should not exceed 80 percent of the branch circuit rating.
- Ensure that proper airflow is provided to components in the rack.
- Do not step on or stand on any system/component when servicing other systems/components in a rack.

Installation Instructions


This installation guide provides instructions for trained service technicians installing one or more systems in an open-frame relay rack or in a rack cabinet. The RapidRails™ rack kit can be installed in all the system manufacturer's rack cabinets without tools, and the VersaRails™ rack kit can be installed in most industry-standard rack cabinets. The procedures for installing both RapidRails and VersaRails rack kits are similar. One rack kit is required for each system to be installed in the rack cabinet.


This guide includes procedures for the following rack kits:


- RapidRails kit in a four-post rack cabinet
- VersaRails kit in a four-post rack cabinet
- Two-post kit (installed in either center-mount or flush-mount configuration)

Before You Begin

Before you begin installing your system in the rack, carefully read "Safety Instructions," found earlier in this guide, as well as the safety instructions found in your *Product Information Guide* for additional information.


 **CAUTION:** When installing multiple systems in a rack, complete all of the procedures for the current system before attempting to install the next system.


 **CAUTION:** Rack cabinets can be extremely heavy and move easily on their casters. They do not have brakes. Use extreme caution while moving the rack cabinet. Retract the leveling feet when relocating the rack cabinet. Avoid long or steep inclines or ramps where loss of cabinet control may occur. Extend the leveling feet for support and to prevent the cabinet from rolling.

 **NOTE:** For instructions on installing the system itself, see "Installing the System in the Rack."


Important Safety Information

Observe the safety precautions in the following subsections when installing your system in the rack.

 **CAUTION:** You must strictly follow the procedures in this document to protect yourself as well as others who may be involved. Your system may be very large and heavy and proper preparation and planning are important to prevent injury to yourself and to others. This precaution becomes increasingly important when systems are installed high up in the rack.

 **CAUTION:** Do not install rack kit components designed for another system. Use only the rack kit for your system. Using the rack kit for another system may result in damage to the system and personal injury to yourself and to others.

Rack Requirements for VersaRails

 **NOTICE:** The VersaRails rack kit is intended to be installed by trained service technicians in a rack that meets the specifications of American National Standards Institute (ANSI)/Electronic Industries Association (EIA) standard ANSI/EIA-310-D-92, International Electrotechnical Commission (IEC) 297, and Deutsche Industrie Norm (DIN) 41494. One rack kit is required for each system that is installed in a rack.

Four-Post Rack Installation

Before attempting this installation, read through this entire procedure carefully.

Rack Stabilizer Feet



CAUTION: Before installing systems in a rack, install front and side stabilizers on stand-alone racks or the front stabilizer on racks joined to other racks. Failure to install stabilizers accordingly before installing systems in a rack could cause the rack to tip over, potentially resulting in bodily injury under certain circumstances. Therefore, always install the stabilizer(s) before installing components in the rack.

The stabilizer feet help prevent the rack from tipping over. See the documentation provided with the rack cabinet for instructions on installing and anchoring the stabilizer feet.

Recommended Tools and Supplies

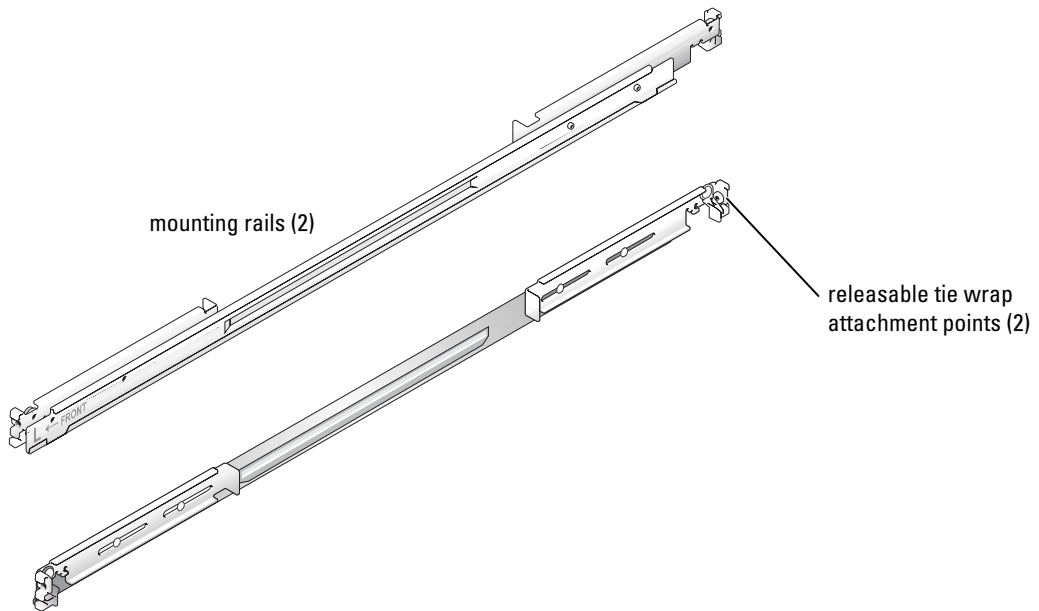
You may need the following items to install the system in a four-post rack cabinet:

- #2 Phillips screwdriver
- Masking tape or a felt-tip pen, for use in marking the mounting holes to be used

RapidRails Rack Kit Contents

- One pair of RapidRails mounting rails
- Releasable tie wraps (2) (not shown in Figure 1-1)

Figure 1-1. RapidRails Rack Kit Contents



VersaRails Rack Kit Contents

- One pair of VersaRails mounting rails
- 10-32 x 0.5-inch flange-head Phillips screws (8)
- Releasable tie wraps (2) (not shown in Figure 1-2)


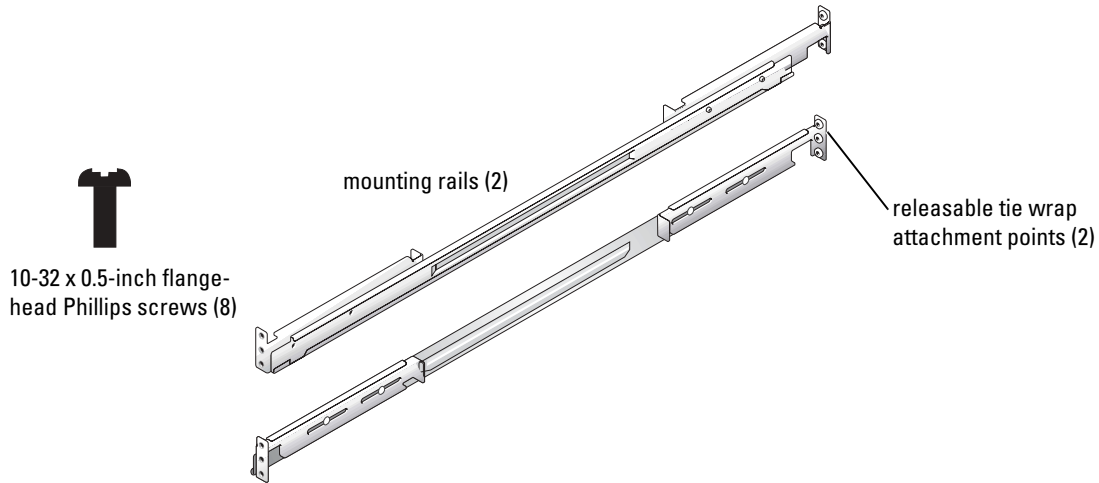
 **NOTE:** The nonmetric screws described in illustrations and in procedural steps are identified by size and number of threads per inch. For example, a #10 Phillips-head screw with 32 threads per inch is identified as a 10-32 screw.

Figure 1-2. VersaRails Rack Kit Contents



Installation Tasks

Installing a rack kit involves performing the following tasks (described in detail in subsequent sections) in their numbered order:

- 1 Removing the rack doors
- 2 Marking the rack
- 3 Installing the mounting rails in the rack
 - RapidRails installation
 - VersaRails installation
 - Static Rails Installation
- 4 Installing the system in the rack
- 5 Routing cables and securing with releasable tie wraps
- 6 Replacing the rack doors



NOTE: Three procedures are provided for task 3. These procedures are for the RapidRails kit, the VersaRails kit, and the Static Rail kit.

Removing the Rack Doors

See the procedures for removing doors in the documentation provided with your rack cabinet.

⚠ CAUTION: Because of the size and weight of the rack cabinet doors, never attempt to remove or install them by yourself.

⚠ CAUTION: Store the doors where they will not injure someone if the doors accidentally fall over.

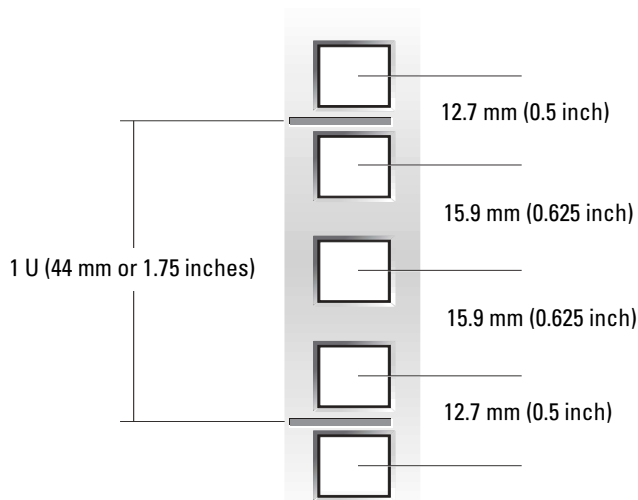
Marking the Rack

For a 1-U system, you must allow 1 U (44 mm, or 1.75 inches) of vertical space for each system you install in the rack.

Rack cabinets that meet EIA-310 standards have an alternating pattern of three holes per rack unit with center-to-center hole spacing (beginning at the top hole of a 1-U space) of 15.9 mm, 15.9 mm, and 12.7 mm (0.625 inch, 0.625 inch, and 0.5 inch) for the front and back vertical rails (see Figure 1-3). Rack cabinets may have round or square holes.

🔍 NOTE: The vertical rails may be marked by horizontal lines and numbers in 1-U increments. If you want, you can make a note of the number marking on the rack's vertical rail. It is not necessary to mark or place tape on the rack.

Figure 1-3. One Rack Unit



⚠ CAUTION: If you are installing more than one system, install the mounting rails so that the first system is installed in the lowest available position in the rack.

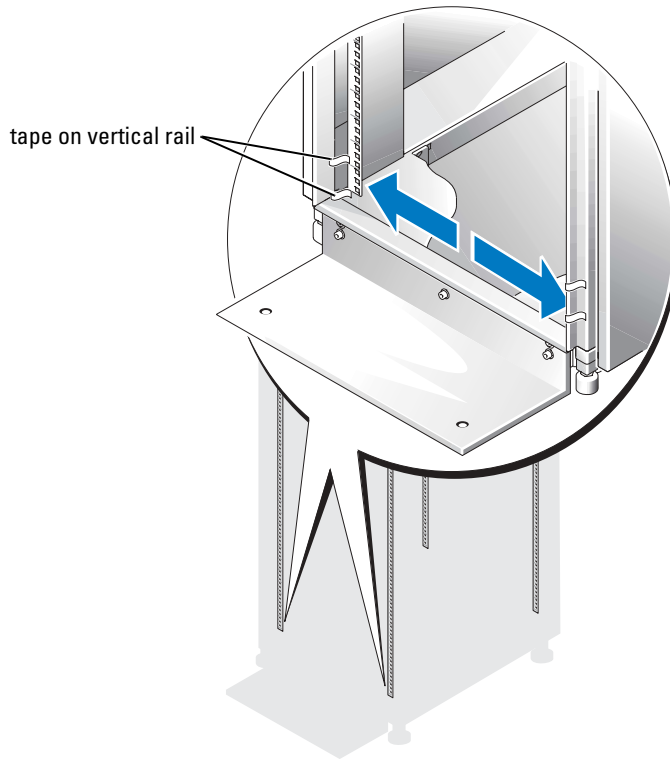
To mark the rack, perform the following steps:

- 1 Place a mark (or tape) on the rack's front vertical rails where you want to locate the bottom of the system you are installing in the rack.

The bottom of each 1-U space is at the middle of the narrowest metal area between holes (marked with a horizontal line on some rack cabinets—see Figure 1-4).

- 2 Place a mark 44 mm (1.75 inches) above the original mark you made (or count up three holes in a rack that meets EIA-310 standards) and mark the rack's front vertical rails with a felt-tipped pen or masking tape (if you counted holes, place a mark just above the top hole). This mark or piece of tape indicates where the system's upper edge will be located on the vertical rails (see Figure 1-4).

Figure 1-4. Marking the Vertical Rails



Installing the Mounting Rails in the Rack

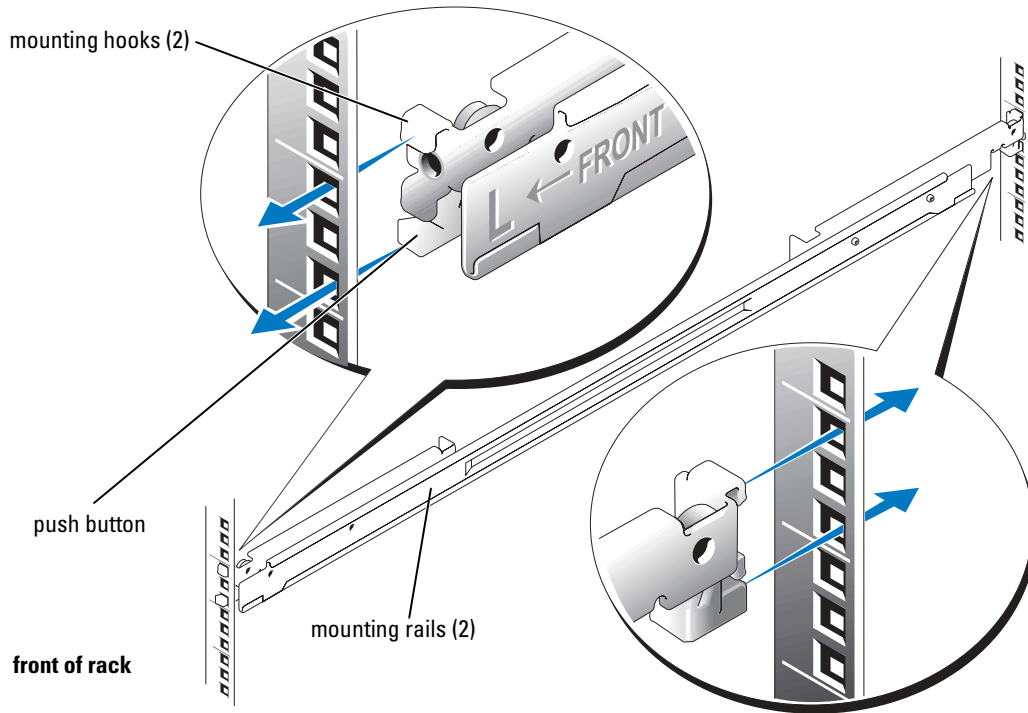
Installing the RapidRails Mounting Rails

- 1 At the front of the rack cabinet, position one of the RapidRails mounting rails so that its mounting-bracket flange fits between the marks or tape you placed (or numbered location) on the vertical rails (see Figure 1-5).

The top mounting hook on the front mounting-bracket flange should enter the top hole between the marks you made on the vertical rails.

- 2 Push the mounting rail forward until the mounting hooks enter their square holes, and then push down on the mounting-bracket flange until the mounting hooks seat and the push button pops out and clicks (see Figure 1-5).
- 3 At the back of the cabinet, pull back on the mounting-bracket flange until the mounting hooks enter their square holes, and then push down on the flange until the mounting hooks seat and the push button pops out and clicks.
- 4 Repeat step 1 through step 3 for the mounting rail on the other side of the rack.
- 5 Ensure that the mounting rails are mounted at the same vertical position on both sides of the rack.

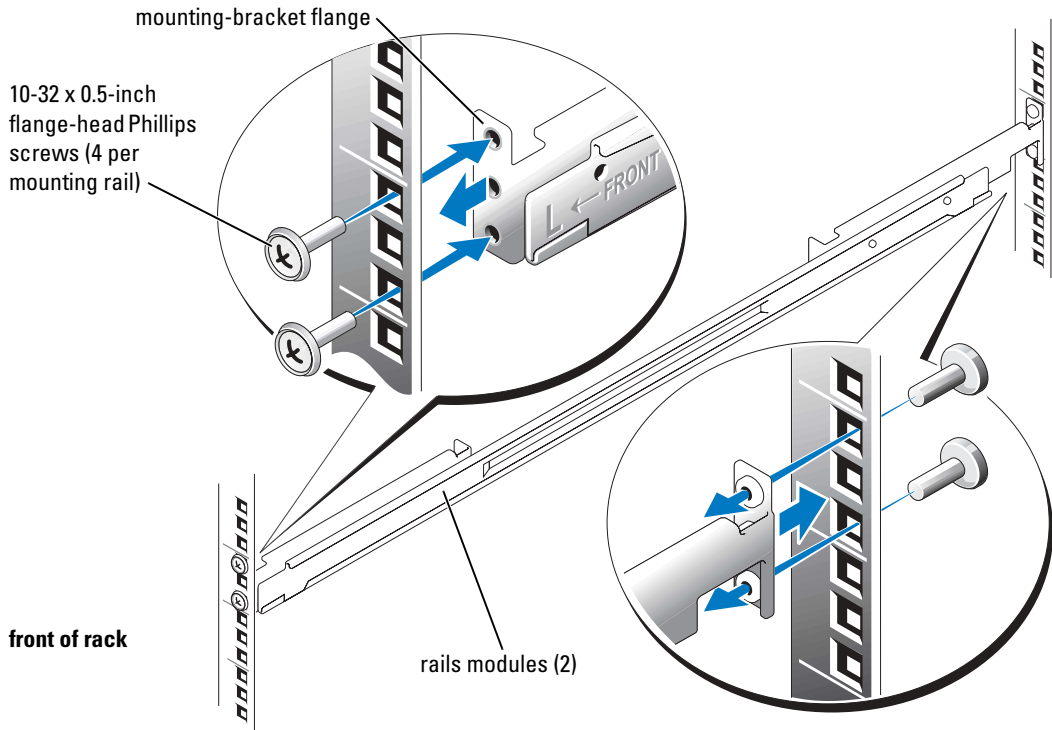
Figure 1-5. Installing the RapidRails Mounting Rails



Installing the VersaRails Mounting Rails

- 1** At the front of the rack cabinet, position one of the VersaRails mounting rails so that its mounting-bracket flange fits between the marks (or numbered location) on the vertical rails (see Figure 1-6).
The three holes on the front of the mounting-bracket flange should align with the holes between the marks you made on the front vertical rail.
- 2** Install two 10-32 x 0.5-inch flange-head Phillips screws in the mounting-bracket flange's top- and bottom-holes to secure the mounting rail to the front vertical rail.
- 3** At the back of the cabinet, pull back on the mounting-bracket flange until the mounting holes align with their respective holes on the back vertical rail.
- 4** Install two 10-32 x 0.5-inch flange-head Phillips screws in the back mounting-bracket flange's top- and bottom-holes to secure the mounting rail to the back vertical rail.
- 5** Repeat step 1 through step 4 for the mounting rail on the other side of the rack.
- 6** Ensure that the mounting rails are mounted at the same position on the vertical rails on each side of the rack.

Figure 1-6. Installing the VersaRails Mounting Rails

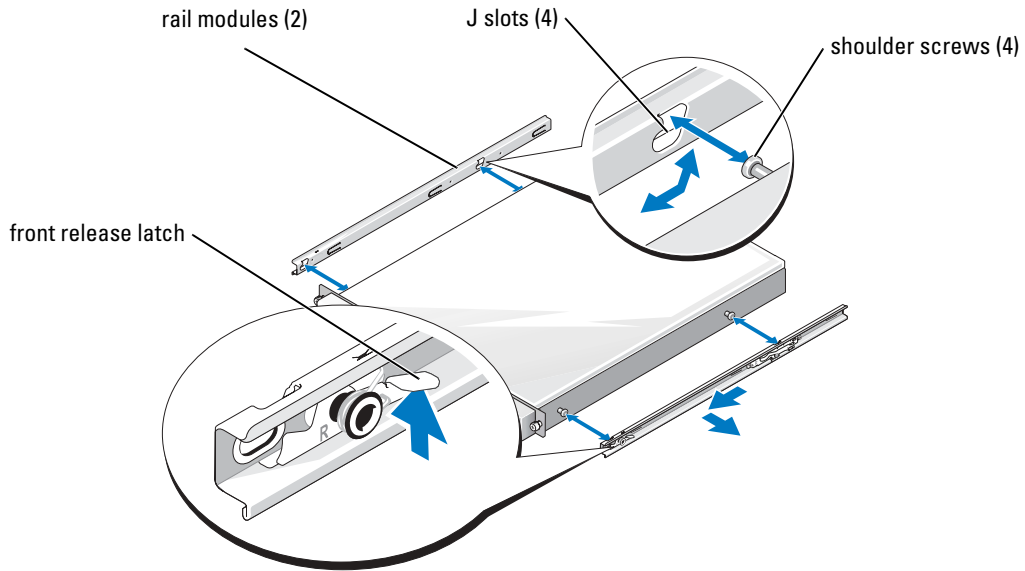


Installing and Removing Chassis Static Rail Modules

NOTE: You do not need to remove the optional front bezel to install or remove the chassis static rail modules from the chassis.

- 1 To install the rails, locate the J slots on both rails. Locate the two corresponding shoulder screws that are on both sides of the chassis toward the front and midpoint (see Figure 1-7).
- 2 To attach the rails to the chassis, align the two J slots on the rail modules with the shoulder screws. Position each rail directly below the two corresponding shoulder screws (see Figure 1-7).
- 3 To seat the rails, pull up on the front latches attached to the front of each rail. Pull up and back on each rail, snapping them into place on the chassis.
- 4 To remove the rails from the chassis, pull up on the front latches to release each rail.
- 5 Unseat the rails from the J slots and remove the rails from the chassis.

Figure 1-7. Installing and Removing Static Rail Modules



Installing the System in the Rack

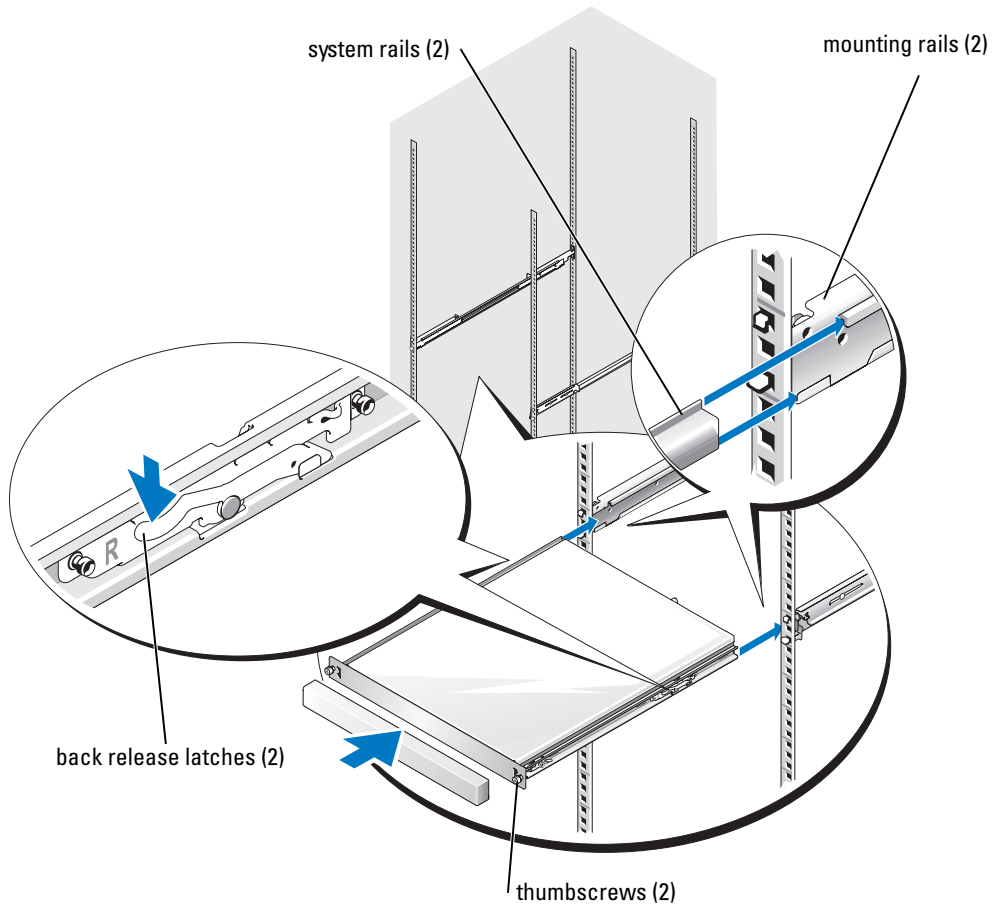
⚠ CAUTION: If you are installing more than one system, install the first system in the lowest available position in the rack.

⚠ CAUTION: Because of the size and weight of the system, never attempt to install the system in the mounting rails by yourself.

To install the system on the rack, perform the following procedure:

- 1 From the front of the system, lift the chassis into position so that the side rails are aligned with the mounting rails on the rack.

Figure 1-8. Installing the System in the Rack



- 2 Working from right to left, position the chassis on the mounting rails and slide back (see Figure 1-8).
- 3 Push the chassis back into the mounting rails until the system stops (see Figure 1-8).
- 4 Secure both thumbscrews on the front panel of the chassis.

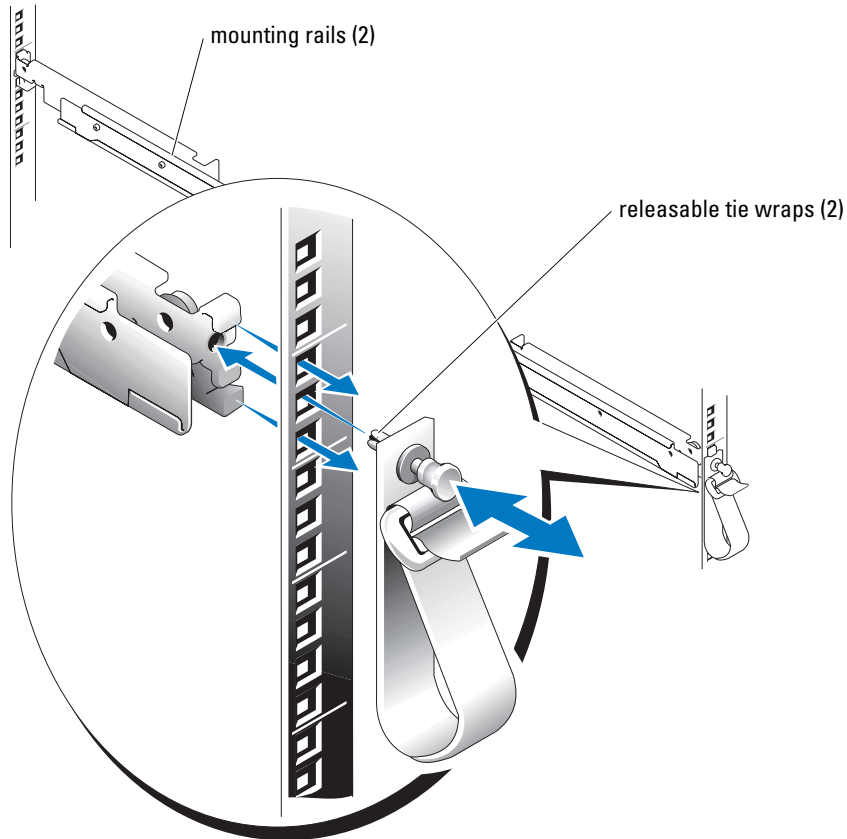
NOTE: Figure 1-8 applies to the RapidRails, VersaRails, and two-post rack kits.

Installing the Releasable Tie Wraps

The two releasable tie wraps are used to secure your system's cables to the mounting rails.

- 1 Locate the releasable tie wrap attachment points located on the two back mounting-bracket flanges (see Figure 1-9).


Figure 1-9. Installing the Releasable Tie Wraps



- 2 Push the tie wrap's fastener through the attachment point.
- 3 Push the tie wrap's plunger until it snaps to secure the tie wrap to the mounting rail.
- 4 Using the releasable tie wrap, secure your system's cables to the mounting rail.

Removing the System From the Rack


To remove the system from the rack, perform the following procedure:

 **NOTE:** You do not need to remove the optional front bezel to install or remove the system from the rack.

- 1 Turn off the system and attached peripherals, and disconnect the system from the electrical outlet.
- 2 Disengage the both thumbscrews on the front panel of the chassis.
- 3 On either side of the system, locate the back release latches.
- 4 Pull the system out of the rack until it stops, and then push down on both release levers to actuate the side-rail safety catches (see Figure 1-8).
- 5 Pull the system completely out of the rack.

Replacing the Rack Doors

See the procedures for replacing doors in the documentation provided with your rack.


 **CAUTION:** Because of the size and weight of the rack cabinet doors, never attempt to remove or install them by yourself.

This completes the rack installation of your system in a four-post rack cabinet.

Two-Post Rack Installation

The two-post rack kit is used to install a system in a two-post, open-frame relay rack, such as those found in telecommunications equipment facilities. Both 7.62-cm or 15.24-cm (3-inch and 6-inch) wide two-post racks with universal hole spacing or wide hole spacing are accommodated. You can install this kit in a center-mount or a flush-mount configuration.

You must properly secure the two-post relay rack to the floor, the ceiling or upper wall, and where applicable, to adjacent racks, using floor and wall fasteners and bracing specified or approved by the rack manufacturer or by industry standards. See the two-post rack manufacturer's documentation for warnings before attempting this installation.

 **CAUTION:** Do not attempt to install the system into a two-post, open-frame relay rack that has not been securely anchored in place. Damage to the system and personal injury to yourself and to others may result.

See "Safety Instructions" for additional safety information regarding rack installation.

Recommended Tools and Supplies

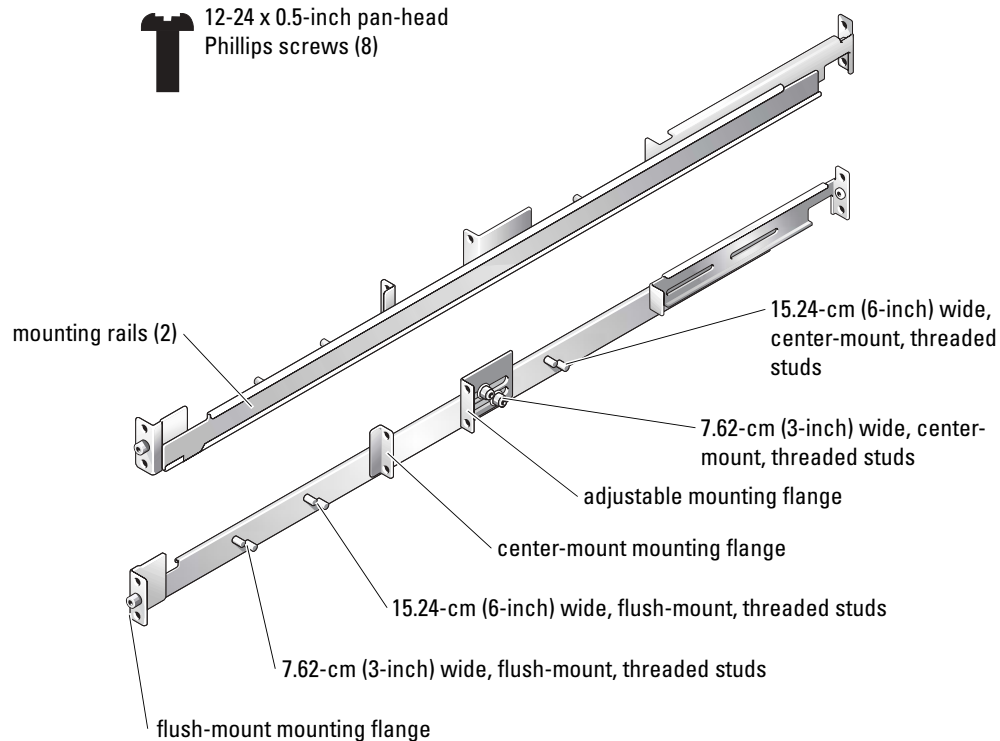
- #2 Phillips screwdriver
- 3/8-inch wrench or nut driver (if changing bracket to flush-mount configuration)
- Masking tape or felt-tip pen to mark the mounting holes

Rack Kit Contents

The two-post rack kit includes (see Figure 1-10):

- One pair of mounting rails
- 12-24 x 0.5-inch pan-head Phillips screws (8)
- Releasable tie wraps (2) (not shown in Figure 1-10)

Figure 1-10. Two-Post Rack Kit Components



Installation Tasks

Installing a two-post rack kit includes performing the following tasks in order:

- 1 Marking the rack
 - Universal-hole spacing rack
 - Wide-hole spacing rack
- 2 Installing the mounting rails in the rack
 - Center-mount installation
 - Flush-mount installation
- 3 Installing the system in the rack
- 4 Routing cables

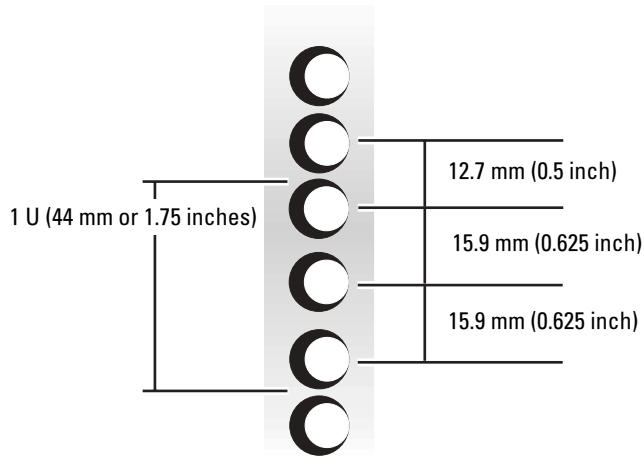
Marking the Rack

You must allow 1 U (44 mm, or 1.75 inch) of vertical space for each system that you install in the two-post rack.

Universal-Hole Spacing Racks

Racks with universal-hole spacing have an alternating pattern of three holes per rack unit with center-to-center hole spacing (beginning at the top hole of a 1-U space) of 15.9 mm, 15.9 mm, and 12.7 mm (0.625 inch, 0.625 inch, and 0.5 inch) for the front and back vertical column of holes (see Figure 1-11).

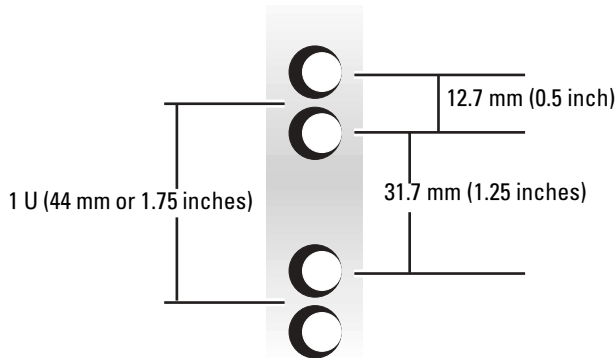
Figure 1-11. Two-Post, Open-Frame Relay Rack Universal-Hole Spacing





Wide-Hole Spacing Racks

Racks with wide-hole spacing have an alternating pattern of two holes per rack unit with center-to-center hole spacing (beginning at the top hole of a 1-U space) of 31.7 mm and 12.7 mm (1.25 inches and 0.5 inch) for the front and back vertical columns of holes (see Figure 1-12).

Figure 1-12. Two-Post, Open-Frame Relay Rack Wide-Hole Spacing



To mark the rack, perform the following steps:

- 1 Place a mark on the rack's front vertical rails where you want to locate the bottom of the system you are installing in the two-post rack.
The bottom of each 1-U space is at the middle of the narrowest metal area between holes.
 **NOTE:** If your rack has wide-hole spacing, go to step 3.
- 2 Place a mark 44 mm (1.75 inches) above the original mark you made (or count up three holes in a rack with universal-hole spacing) (see Figure 1-11).
Each 1 U (44 mm, or 1.75 inches) of vertical space on a rack with universal-hole spacing has three holes with center-to-center spacing between holes (beginning at the top of a 1-U space) of 15.9 mm, 15.9 mm, and 12.7 mm (0.625 inch, 0.625 inch, and 0.5 inch) (see Figure 1-11).
 **NOTE:** If your rack has universal-hole spacing, you have completed the procedure for marking the rack.
- 3 Place a mark 44 mm (1.75 inches) above the original mark you made (or count up to the next hole in the rack with wide-hole spacing) (see Figure 1-12).
Each 1 U (44 mm, or 1.75 inches) of vertical space on a rack with wide-hole spacing has two holes with center-to-center spacing between holes (beginning at the top of a 1-U space) of 31.7 mm (1.25 inches) (see Figure 1-12).

Installing the Mounting Rails

You can install the mounting rails in a two-post, open-frame rack having either universal-hole spacing (see Figure 1-11) or wide-hole spacing (see Figure 1-12). You can install the mounting rails in either a flush-mount or center-mount configuration.



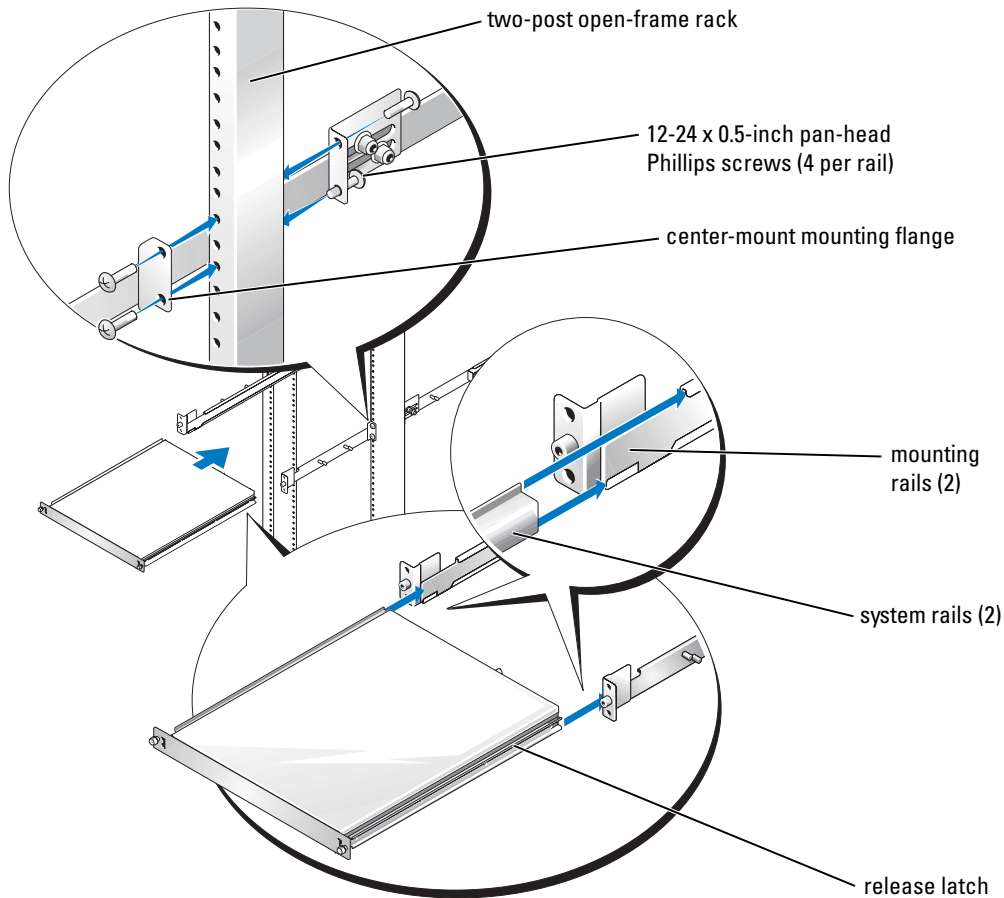
CAUTION: Do not install another system using this rack kit. Use only the rack kit intended for your system. Using the rack kit for another system may result in damage to the system and personal injury to yourself and to others.

Center-Mount Installation

The two-post rack kit is shipped with the brackets configured for a 7.62-cm (3-inch) wide center-mount installation. See Figure 1-10 for mounting rail components. To complete the installation, perform the following steps:

- 1 Locate the right mounting rail and push the adjustable mounting bracket toward the back of the mounting rail (see Figure 1-13).
- 2 Position the right mounting rail in the two-post rack at the location you marked, push the center-mount adjustable mounting bracket forward against the vertical two-post rack, and secure the mounting flange and adjustable mounting bracket to the rack with four 12-24 x 0.5-inch pan-head Phillips screws (see Figure 1-13).
- 3 Repeat step 1 and step 2 to install the left mounting rail in the rack.

Figure 1-13. Installing the Mounting Rails for Center-Mount Configuration



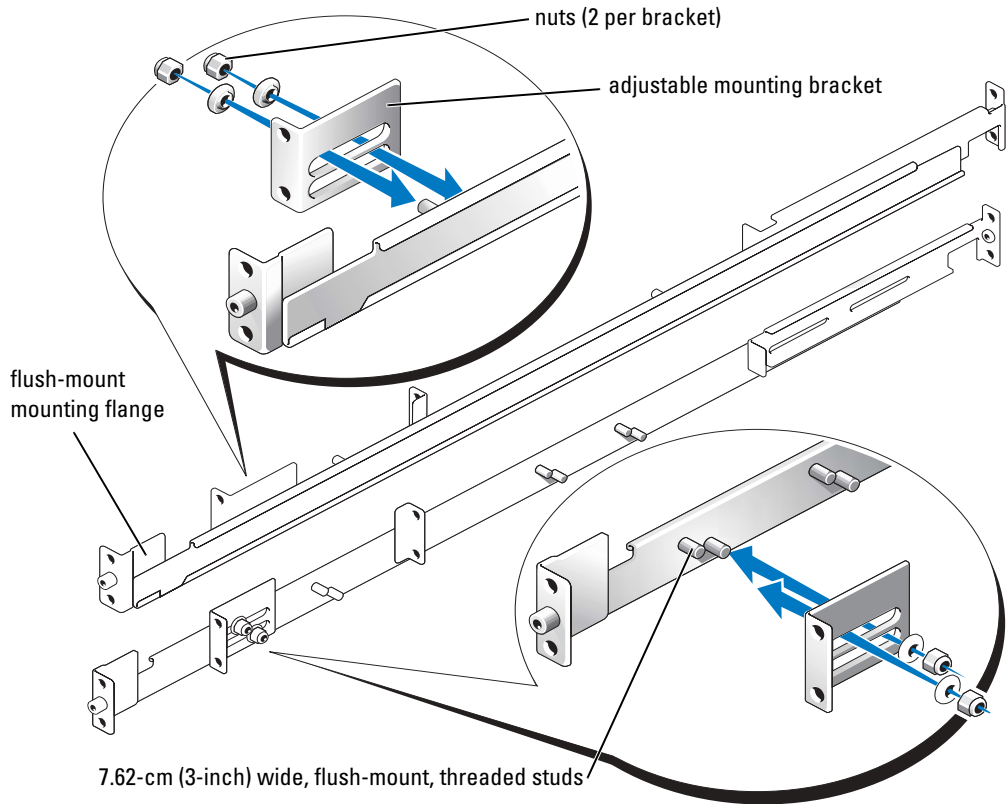
Flush-Mount Installation

The two-post rack kit is shipped with the brackets configured for a 7.62-cm (3-inch) wide center-mount installation. See Figure 1-10 for mounting rail components. To prepare the mounting rails for flush-mount installation in the two-post rack, perform the following steps:

- 1** Locate the two mounting rails and place them side by side on a smooth work surface, with the front ends of the mounting rails toward you (see Figure 1-14).
- 2** Using a 3/8-inch wrench or nut driver, remove two nuts from the adjustable mounting bracket (see Figure 1-14).
- 3** Remove the bracket and then place the bracket on either the 7.62-cm or 15.24-cm (3-inch or 6-inch) wide flush-mount threaded studs (see Figure 1-14).

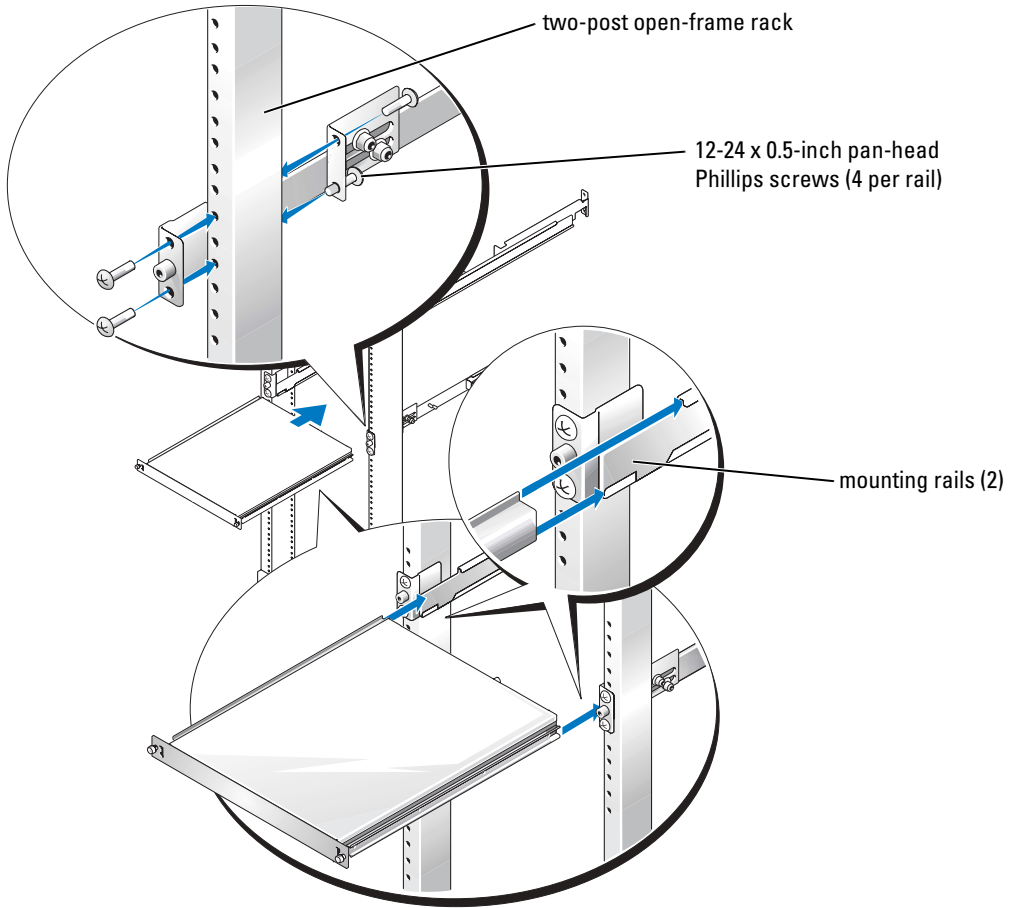
- 4 Using the two nuts that you removed in step 2, tighten the nuts finger tight to secure the adjustable mounting bracket (see Figure 1-14).
- 5 Repeat step 2 through step 4 to configure the other mounting rail.

Figure 1-14. Configuring the Adjustable Mounting Bracket for Flush-Mount Installation



- 6 Holding the left mounting rail at the location you marked, position the flush-mount mounting flange against the front of the vertical two-post rack and secure it to the two-post rail with two 12-24 x 0.5-inch pan-head Phillips screws (see Figure 1-15).
- 7 Slide the adjustable-mounting bracket so that it is against the back of vertical two-post rack and secure it to the two-post rail with two 12-24 x 0.5-inch pan-head Phillips screws (see Figure 1-15).
- 8 Repeat step 6 and step 7 to install the right mounting rail in the rack.
- 9 Using a 3/8-inch wrench or nut driver, tighten the nuts on the adjustable mounting brackets on both mounting rails.

Figure 1-15. Installing the Mounting Rails for Flush-Mount Configuration



Installing the System in the Rack

For instructions, see "Installing the System in the Rack" in "Four-Post Rack Installation."

Installing the Releasable Tie Wraps

For instructions, see "Installing the Releasable Tie Wraps" in "Four-Post Rack Installation."

You have completed the installation of the rack kit in a two-post rack.

Index

C

- center-mount
 - configuration, 22
- contents listed
 - RapidRails kit, 8
 - two-post rack kit, 19
 - VersaRails kit, 8

D

- doors
 - removing, 10
 - replacing, 18

F

- flush-mount
 - configuration, 23
- four-post rack
 - removing system, 18
- four-post rack kit
 - RapidRails kit contents, 8
 - tools and supplies, 7
 - VersaRails kit contents, 8

I

- installing
 - four-post rack kit, 13
 - RapidRails mounting rails, 13
 - static rail modules, 14
 - system in four-post rack, 15

- installing (*continued*)
 - system in two-post rack, 26
 - tie wraps for four-post rack, 17
 - tie wraps for two-post rack, 26
 - two-post rack kit, 18
 - two-post rack mounting rails, 22-23
 - VersaRails mounting rails, 14-15

K

- kit contents
 - RapidRails, 8
 - two-post rack, 19
 - VersaRails, 8-9, 17

M

- marking rack
 - four-post rack kit, 10
 - two-post rack kit, 20-21

R

- rack mount precautions, 6
- rack requirements for
 - VersaRails, 6
- rack stabilizer feet, 7
- rack unit, 10
- RapidRails
 - kit contents, 8

- RapidRails (*continued*)
 - removing system
 - four-post rack, 18
 - replacing rack doors, 18

S

- safety instructions, 5
- stabilizer feet, 7

T




- tie wraps
 - installing, 26
- tools and supplies
 - four-post rack kit, 7
 - two-post rack kit, 19
- two-post rack kit
 - installing mounting rails, 22
 - installing system, 26
 - kit contents, 19
 - marking rack, 20
 - tools and supplies, 19

V

- VersaRails
 - installing, 14-15
 - kit contents, 8-9, 17
- vertical rails
 - marking, 10
 - one rack unit, 10

Guide d'installation du rack

Remarques, avis et précautions

-  **REMARQUE** : une REMARQUE indique des informations importantes qui peuvent vous aider à mieux utiliser votre ordinateur.
-  **AVIS** : un AVIS vous avertit d'un risque de dommage matériel ou de perte de données et vous indique comment éviter le problème.
-  **PRÉCAUTION** : une PRÉCAUTION indique un risque potentiel d'endommagement du matériel, de blessure corporelle ou de mort.

Les informations contenues dans ce document peuvent être modifiées sans préavis.

© 2005 Dell Inc. Tous droits réservés.

La reproduction de ce document de quelque manière que ce soit sans l'autorisation écrite de Dell Inc. est strictement interdite.

Marques utilisées dans ce document : *Dell*, le logo *DELL*, *RapidRails* et *VersaRails* sont des marques de Dell Inc.

Tous les autres noms de marques et marques commerciales utilisés dans ce document se rapportent aux sociétés propriétaires des marques et des noms de ces produits. Dell Inc. décline tout intérêt dans l'utilisation des marques déposées et des noms de marques ne lui appartenant pas.

Sommaire

| | |
|---|-----------|
| Consignes de sécurité | 33 |
| SÉCURITÉ : montage en rack des systèmes | 33 |
| Instructions d'installation | 34 |
| Avant de commencer | 34 |
| Informations importantes sur la sécurité. | 34 |
| Spécifications de rack requises pour les rails VersaRails | 35 |
| Installation dans un rack à quatre montants | 35 |
| Pieds stabilisateurs du rack | 35 |
| Outils et fournitures recommandés. | 35 |
| Contenu du kit RapidRails. | 36 |
| Contenu du kit VersaRails. | 36 |
| Tâches d'installation | 37 |
| Retrait des portes du rack | 38 |
| Marquage du rack | 38 |
| Installation des rails de montage dans le rack | 40 |
| Installation et retrait des modules Static Rail | 42 |
| Installation du système dans le rack | 43 |
| Installation des fixe-câbles détachables. | 45 |
| Retrait du système de l'armoire rack | 46 |
| Remise en place des portes du rack | 46 |
| Installation dans un rack à deux montants | 46 |
| Outils et fournitures recommandés. | 47 |
| Contenu du kit de rack | 47 |
| Tâches d'installation | 48 |
| Marquage du rack | 48 |
| Installation des rails de montage | 50 |
| Installation du système dans le rack | 53 |
| Installation des fixe-câbles détachables. | 53 |
| Index | 55 |

Figures

| | | |
|--------------|--|----|
| Figure 1-1. | Contenu du kit du rack RapidRails | 36 |
| Figure 1-2. | Contenu du kit VersaRails | 37 |
| Figure 1-3. | Unité à un rack | 38 |
| Figure 1-4. | Marquage des rails verticaux | 39 |
| Figure 1-5. | Installation des rails de montage RapidRails | 41 |
| Figure 1-6. | Installation des rails de montage VersaRails | 42 |
| Figure 1-7. | Installation et retrait des modules Static Rail | 43 |
| Figure 1-8. | Installation du système dans le rack | 44 |
| Figure 1-9. | Installation des fixe-câbles détachables | 45 |
| Figure 1-10. | Composants du kit pour rack à deux montants | 47 |
| Figure 1-11. | Espacement des trous sur un rack universel à 2 montants et châssis ouvert | 48 |
| Figure 1-12. | Espacement large des trous sur un rack à 2 montants avec châssis ouvert | 49 |
| Figure 1-13. | Installation des rails de montage pour une configuration à montage central | 51 |
| Figure 1-14. | Configuration de la plaque de montage ajustable pour une installation encastrée | 52 |
| Figure 1-15. | Installation des rails de montage pour une configuration à montage encastré | 53 |


Consignes de sécurité


Respectez les consignes de sécurité de ce guide pour assurer votre sécurité personnelle et pour contribuer à protéger votre système et votre environnement de dommages potentiels. Pour obtenir des informations complètes sur la sécurité, reportez-vous au *Guide d'information sur le produit*.


SÉCURITÉ : montage en rack des systèmes

Pour la stabilité du rack et pour votre sécurité, respectez les précautions suivantes.

Les systèmes sont considérés comme étant les composants d'un rack. Le terme "composant" fait donc référence à un système mais aussi aux différents périphériques ou matériels associés.

 **PRÉCAUTION** : avant d'installer des systèmes dans un rack autonome, installez d'abord les pieds stabilisateurs avant et latéraux. Pour plusieurs racks associés, installez d'abord les pieds stabilisateurs avant. L'installation de systèmes dans un rack non équipé de pieds stabilisateurs peut provoquer son basculement et entraîner des blessures. Installez toujours les pieds stabilisateurs du rack avant d'ajouter des composants dans celui-ci.

 **PRÉCAUTION** : après avoir installé des composants dans un rack, ne faites jamais coulisser hors du rack plus d'un composant à la fois. Si vous sortez plusieurs composants en même temps, le poids correspondant pourrait faire basculer le rack, qui risquerait alors de blesser quelqu'un.

 **REMARQUE** : la sécurité du système est certifiée pour une utilisation en autonome ou une installation en rack effectuée à l'aide du kit approprié, à condition que l'armoire et le kit d'installation utilisés ait été conçus pour ce système. L'installation du système et du kit d'installation en rack dans une autre armoire n'a reçu aucune homologation des organismes de certification de la sécurité. Il est de votre entière responsabilité de faire évaluer par un organisme de sécurité agréé la combinaison finale du système et du kit dans une armoire en rack. Le constructeur décline toute responsabilité ou garantie liée à ce type de combinaisons.

- Les kits de racks sont destinés à être installés par des techniciens expérimentés dans un rack homologué. Avant d'installer ce kit dans un autre type de rack, assurez-vous que ce dernier répond à toutes les spécifications requises.
- Avant de travailler sur le rack, vérifiez que les pieds stabilisateurs sont fixés au rack et que tout le poids du rack repose sur le sol. Avant d'intervenir sur un rack isolé, installez d'abord les pieds stabilisateurs avant et latéraux. Pour plusieurs racks associés, installez d'abord les pieds stabilisateurs avant.
- Chargez le rack du bas vers le haut, en plaçant toujours l'élément le plus lourd en premier.
- Assurez-vous que le rack est d'aplomb et stable avant de tirer un composant hors de son compartiment.
- Ne surchargez pas le circuit d'alimentation secteur du rack. La consommation totale du rack ne doit pas dépasser 80 % de la capacité du circuit.
- Assurez-vous que les éléments installés dans le rack sont suffisamment ventilés.
- Ne montez pas sur un composant lorsque vous intervenez sur d'autres composants du rack.

Instructions d'installation

Ce guide d'installation contient des instructions s'adressant à des techniciens de maintenance qualifiés. Il explique comment installer un ou plusieurs systèmes dans un rack à châssis ouvert ou une armoire rack. Le kit de rack RapidRails™ peut être installé sans outils dans toutes les armoires rack du fabricant du système ; le kit de rack VersaRails™ peut être installé dans la plupart des armoires rack conformes aux normes de l'industrie. Les procédures d'installation des kits de rack RapidRails et VersaRails sont similaires. Un kit de rack est nécessaire pour chaque système devant être installé dans l'armoire rack.

Ce guide comprend les procédures relatives aux kits de rack suivants :

- Kit RapidRails dans une armoire rack à quatre montants
- Kit VersaRails dans une armoire rack à quatre montants
- Kit dans une armoire à deux montants (installé dans une configuration à montage central ou à encastrément)

Avant de commencer

Avant de commencer à installer le système dans le rack, lisez attentivement la section “Consignes de sécurité” au début de ce document, ainsi que les instructions de sécurité du *Guide d'information sur le produit*.



PRÉCAUTION : lorsque vous installez plusieurs systèmes dans un rack, effectuez toutes les procédures s'appliquant au système en cours avant d'essayer d'installer le système suivant.



PRÉCAUTION : les armoires rack peuvent être extrêmement lourdes, mais leurs roulettes permettent un déplacement facile. Elles ne sont pas équipées de freins. Procédez avec la plus grande prudence pour déplacer un rack. Rentez ses pieds réglables lorsque vous le changez d'emplacement. Évitez de déplacer le rack le long de rampes ou de plans inclinés trop longs ou trop abrupts, sur lesquels l'armoire pourrait vous échapper. Ressortez les pieds réglables lorsqu'il est nécessaire de soutenir l'armoire ou pour lui éviter de glisser sur ses roulettes.



REMARQUE : pour plus d'informations sur l'installation du système proprement dit, consultez la section “Installation du système dans le rack”.

Informations importantes sur la sécurité

Respectez les précautions décrites dans les sous-sections suivantes lors de l'installation du système dans le rack.



PRÉCAUTION : vous devez respecter à la lettre les procédures de ce document afin de garantir votre propre protection ainsi que celle d'autrui. Le système peut être très lourd et volumineux. Une préparation et une planification adéquates sont donc importantes afin d'éviter tout risque de blessure pour vous-même ou autrui. Ces précautions prennent d'autant plus d'importance au fur et à mesure que le rack est rempli, de bas en haut.



PRÉCAUTION : n'installez pas de kits prévus pour un autre système. Si vous employez le kit d'un autre système, vous risquez d'endommager le système et d'exposer autrui et vous-même à des risques de blessures.


Spécifications de rack requises pour les rails VersaRails

- ➔ **AVIS** : le kit VersaRails est prévu pour être installé par des techniciens de maintenance qualifiés dans un rack conforme aux spécifications des organismes suivants : American National Standards Institute (ANSI)/Electronic Industries Association (EIA) standard ANSI/EIA-310-D-92, International Electro-technical Commission (IEC) 297 et Deutsche Industrie Norm (DIN) 41494. Un kit est nécessaire pour chaque système installé dans un rack.

Installation dans un rack à quatre montants

Avant de commencer l'installation, lisez soigneusement la procédure, en entier.

Pieds stabilisateurs du rack

-  **PRÉCAUTION** : avant d'installer des systèmes dans un rack autonome, installez d'abord les pieds stabilisateurs avant et latéraux. Pour plusieurs racks associés, installez d'abord les pieds stabilisateurs avant. L'installation de systèmes dans un rack non équipé de pieds stabilisateurs peut provoquer son basculement et entraîner des blessures. Installez toujours les pieds stabilisateurs du rack avant d'ajouter des composants dans celui-ci.

Les pieds stabilisateurs évitent au rack de basculer. Consultez la documentation fournie avec l'armoire rack pour savoir comment installer et fixer les pieds stabilisateurs.

Outils et fournitures recommandés

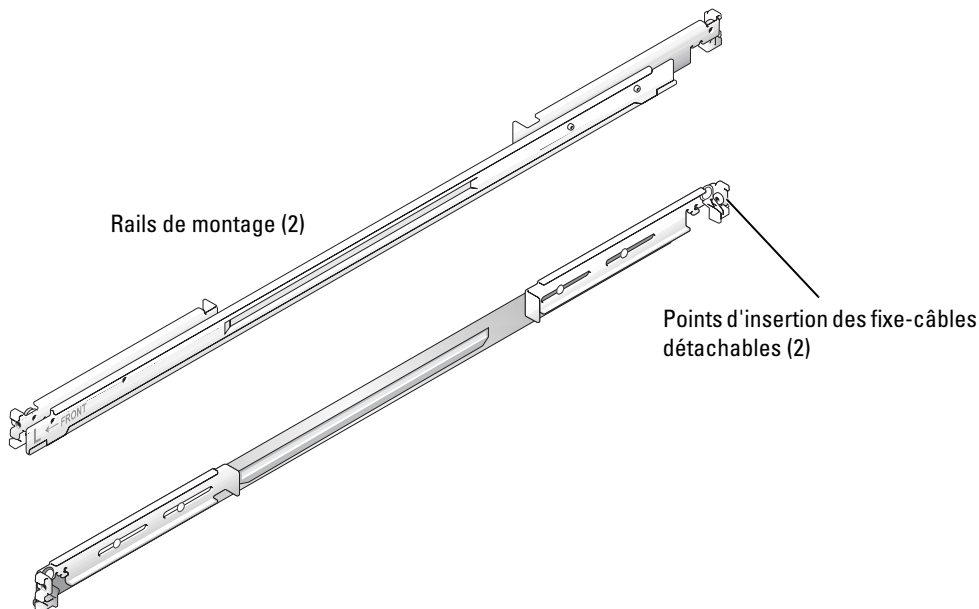
Vous avez besoin des fournitures et des outils suivants pour installer le système dans une armoire rack à quatre montants :

- Tournevis cruciforme n°2
- Une bande adhésive ou un stylo feutre, pour marquer les trous de montage à utiliser

Contenu du kit RapidRails

- Une paire de rails de montage RapidRails
- Deux fixe-câbles détachables (non représentés sur la figure 1-1)

Figure 1-1. Contenu du kit du rack RapidRails



Contenu du kit VersaRails

- Une paire de rails de montage VersaRails
- Vis cruciformes à tête plate 10-32 x 0,5 pouce (8)
- Deux fixe-câbles détachables (non représentés sur la figure 1-2)


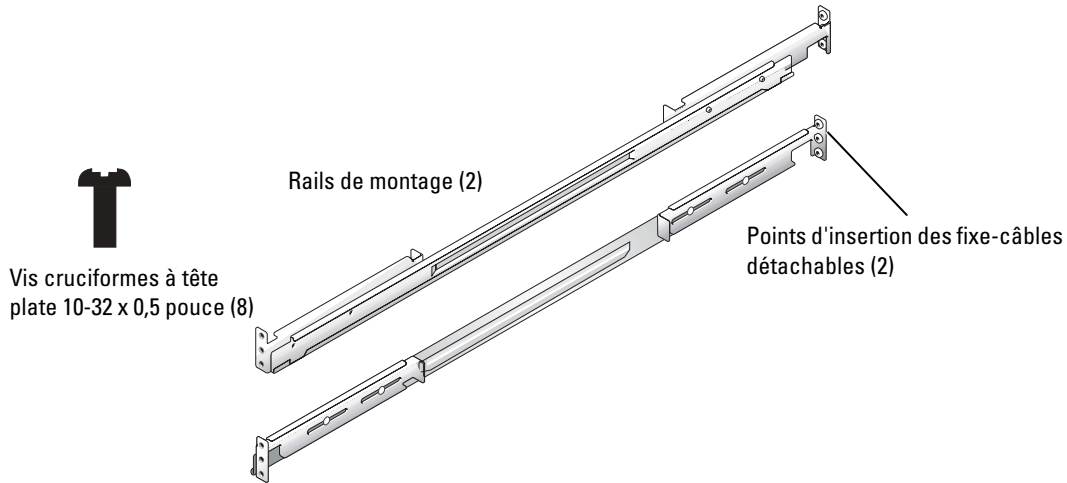
 **REMARQUE** : les vis au pas non métrique décrites dans les illustrations et dans les étapes des procédures sont identifiées par la taille et le nombre de filets par pouce. Par exemple, une vis à tête cruciforme n° 10 avec 32 filets par pouce est désignée par l'appellation vis 10-32.

Figure 1-2. Contenu du kit VersaRails



Tâches d'installation

Pour installer un kit, vous devez effectuer dans l'ordre indiqué les tâches suivantes, décrites plus loin dans ce guide :

- 1 Retrait des portes du rack
- 2 Marquage du rack
- 3 Installation des rails de montage dans le rack
 - Installation du kit RapidRails
 - Installation du kit VersaRails
 - Installation du kit Static Rail
- 4 Installation du système dans le rack
- 5 Acheminement des câbles et pose des fixe-câbles détachables
- 6 Remise en place des portes du rack

REMARQUE : la troisième tâche regroupe trois procédures. L'une s'applique au kit RapidRails, la seconde au kit VersaRails et la troisième au kit Static Rail.

Retrait des portes du rack

Consultez les procédures de retrait des portes dans la documentation fournie avec votre armoire rack.

⚠ PRÉCAUTION : compte tenu de leur poids et de leur taille, ne retirez ou n'installez jamais les portes sans l'assistance d'une autre personne.

⚠ PRÉCAUTION : stockez les portes dans un endroit sûr où elles ne risquent pas de tomber accidentellement et de blesser quelqu'un.

Marquage du rack

Pour un système de 1 U, vous devez réserver un espace vertical correspondant (44 mm ou 1,75 pouce) dans le rack.

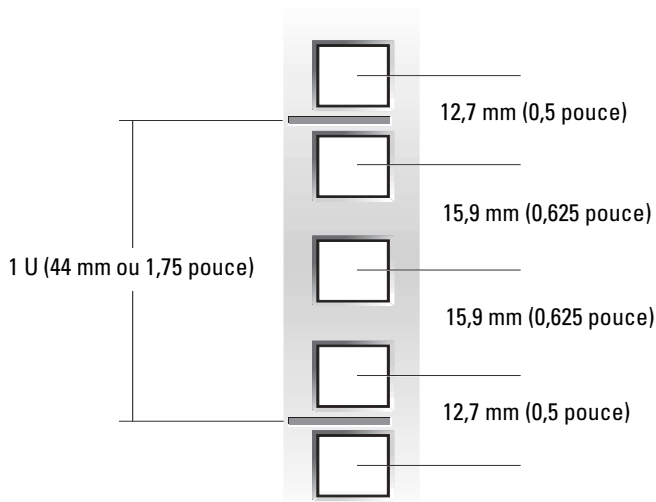
Les racks conformes aux normes EIA-310 alternent un groupe de trois trous par U (unité).

L'espacement entre les trous, mesuré du centre d'un trou au centre du trou suivant (en commençant par le trou supérieur) est respectivement de 15,9, 15,9 et 12,7 mm (0,625, 0,625 et 0,5 pouces) pour les rails verticaux avant et arrière (voir la figure 1-3).

Les armoires rack peuvent comporter des trous ronds ou carrés.

🔍 REMARQUE : les rails verticaux peuvent être marqués par des lignes horizontales et des chiffres progressant par incréments de 1 U. Si vous le souhaitez, vous pouvez noter le nombre figurant sur le rail vertical du rack. Dans ce cas, il n'est pas nécessaire de marquer le rack ou d'y apposer un morceau de bande adhésive.

Figure 1-3. Unité à un rack



⚠ PRÉCAUTION : si vous installez plusieurs systèmes, installez les rails de montage de façon que le premier système soit placé le plus bas possible dans le rack.

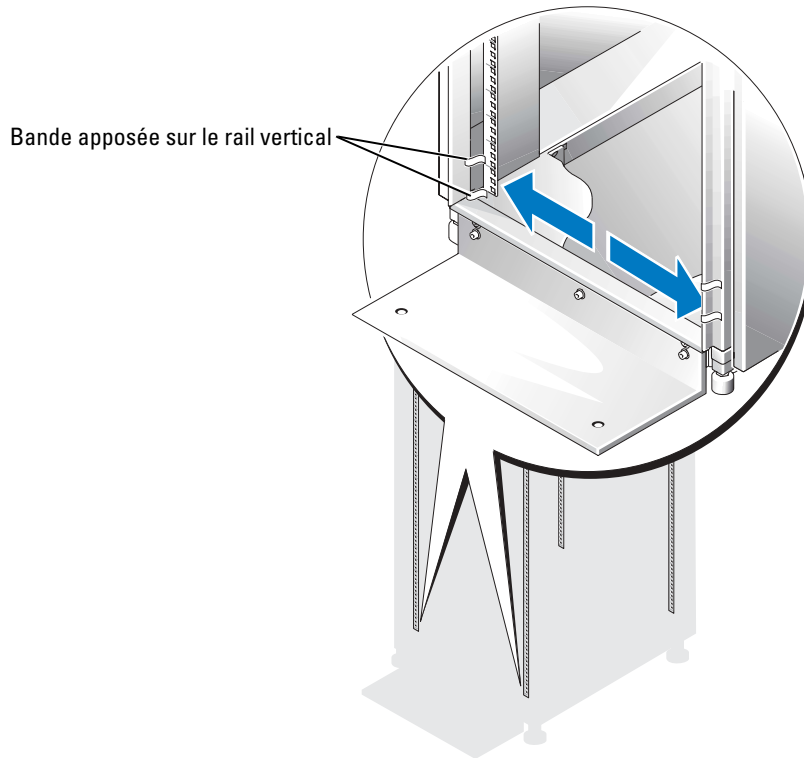
Pour marquer le rack, procédez comme suit :

- 1 Placez une marque (ou de la bande adhésive) sur les rails verticaux avant du rack, à l'endroit correspondant au bas du système à installer.

Le bas de chaque espace 1 U se trouve au milieu de la zone métallique la plus étroite entre les trous (repérée par une ligne horizontale sur certaines armoires rack ; voir la figure 1-4).

- 2 Tracez une marque à 44 mm (1,75 pouce) au-dessus de la marque originale que vous avez faite (ou comptez trois trous dans les racks conformes aux normes EIA-310), puis marquez les rails verticaux du rack avec un stylo feutre ou de la bande adhésive (si vous avez compté les trous, placez une marque juste au-dessus du trou le plus haut). Cette marque ou ce morceau de bande adhésive indique l'emplacement du rebord supérieur du système sur les rails verticaux (voir la figure 1-4).

Figure 1-4. Marquage des rails verticaux



Installation des rails de montage dans le rack

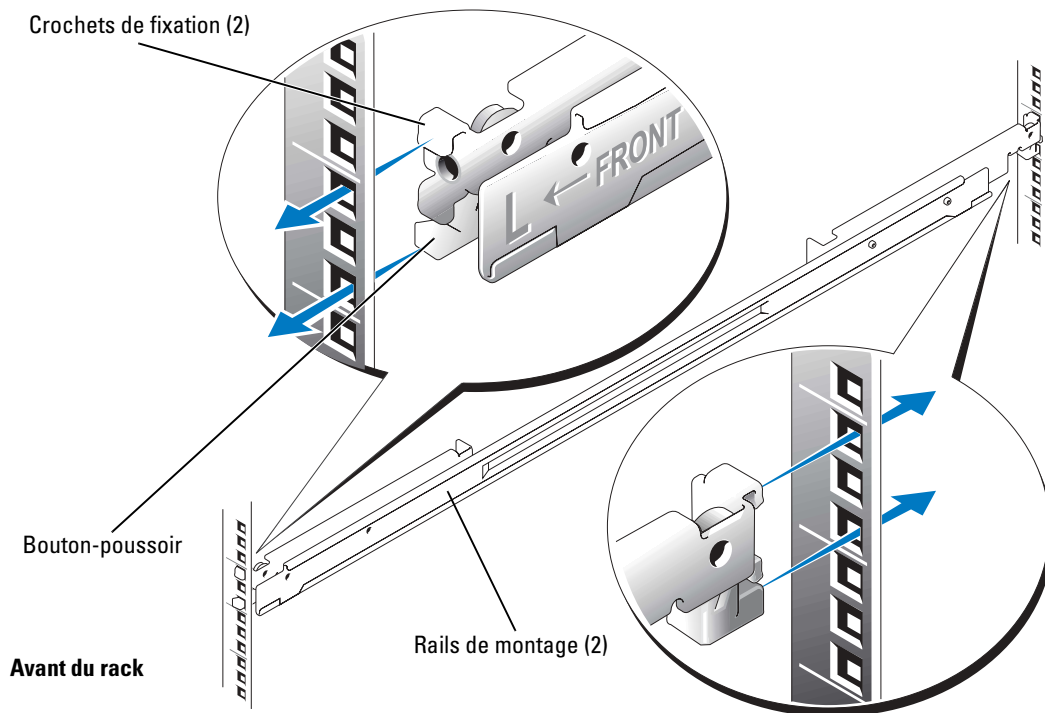
Installation des rails de montage RapidRails

- 1** À l'avant du rack, positionnez l'un des rails RapidRails de façon que sa plaque de fixation soit située entre les marques ou la bande adhésive (ou l'emplacement numéroté) sur les rails verticaux (voir la figure 1-5).

Le crochet de fixation supérieur sur la plaque de fixation avant du rail doit pénétrer dans le trou supérieur situé entre les marques faites sur les rails verticaux.

- 2** Poussez le rail vers l'avant jusqu'à ce que les crochets de fixation soient positionnés dans leurs trous carrés, puis poussez vers le bas sur la plaque de fixation jusqu'à ce que les crochets s'enclenchent dans les trous et que le bouton-poussoir bleu ressorte avec un déclic (voir la figure 1-5).
- 3** À l'arrière de l'armoire, tirez la plaque de fixation jusqu'à ce que les crochets de fixation soient positionnés dans leurs trous carrés, puis appuyez sur la plaque jusqu'à ce que les crochets s'enclenchent dans les trous et que le bouton-poussoir ressorte avec un déclic.
- 4** Répétez la procédure, de l'étape 1 à l'étape 3, pour le rail de montage de l'autre côté du rack.
- 5** Vérifiez que les rails de montage sont montés à la même position verticale de chaque côté du rack.

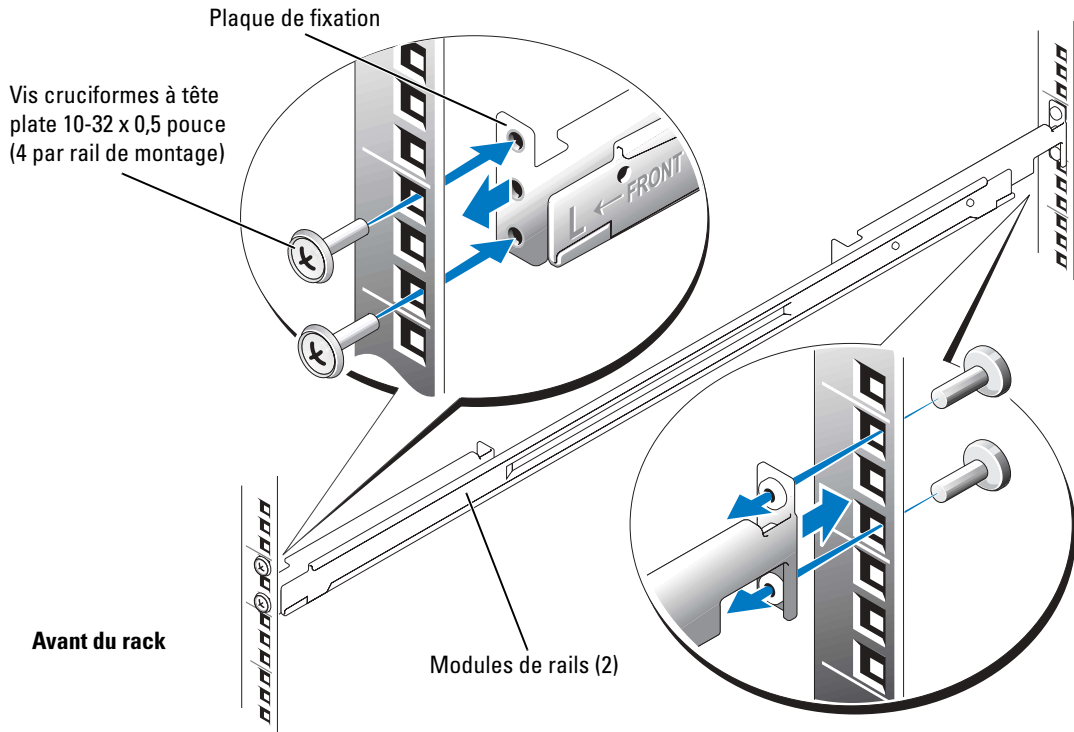
Figure 1-5. Installation des rails de montage RapidRails



Installation des rails de montage VersaRails

- 1** À l'avant du rack, positionnez l'un des rails VersaRails de façon que sa plaque de fixation soit située entre les marques ou la bande adhésive (ou l'emplacement numéroté) sur les rails verticaux (voir la figure 1-6).
Les trois trous à l'avant de la plaque de fixation doivent correspondre aux trous entre les marques que vous avez faites sur le rail vertical avant.
- 2** Insérez deux vis cruciformes 10-32 x 0,5 pouce dans les trous du haut et du bas de la plaque afin de fixer le rail coulissant au rail vertical avant.
- 3** À l'arrière de l'armoire, tirez sur la plaque de fixation jusqu'à ce que les trous de montage s'alignent avec les trous correspondants du rail vertical arrière.
- 4** Insérez deux vis cruciformes 10-32 x 0,5 pouce dans les trous du haut et du bas de la plaque de fixation afin de fixer le rail de montage au rail vertical arrière.
- 5** Répétez la procédure, de l'étape 1 à l'étape 4, pour le rail de montage de l'autre côté du rack.
- 6** Vérifiez que les rails de montage sont montés à la même position sur les rails verticaux de chaque côté du rack.

Figure 1-6. Installation des rails de montage VersaRails

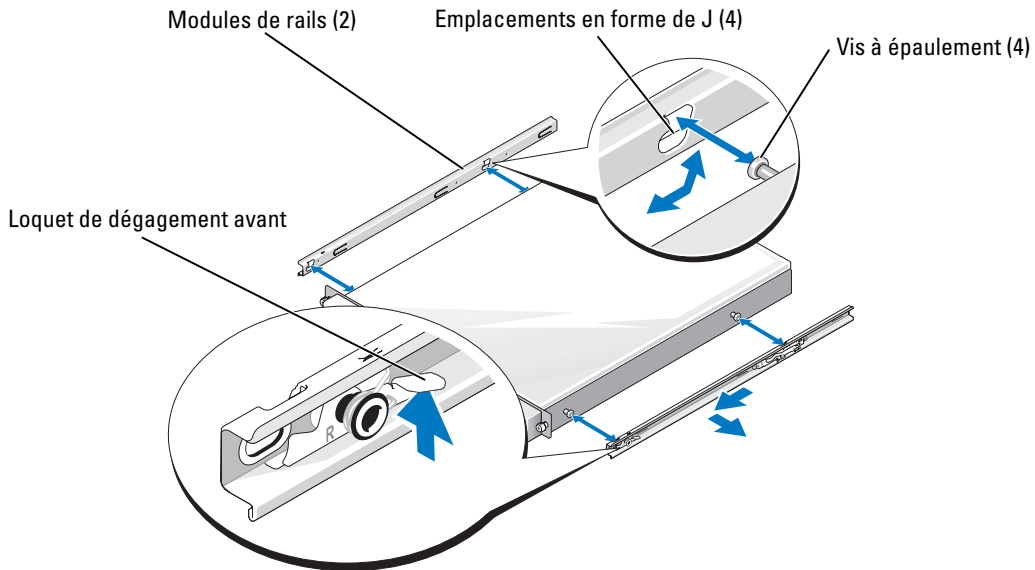


Installation et retrait des modules Static Rail

REMARQUE : il n'est pas nécessaire de retirer le cadre avant fourni en option pour installer ou retirer les modules Static Rail du châssis.

- 1 Pour installer les rails, repérez les emplacements en forme de J situés sur les deux rails. Repérez les deux vis à épaulement correspondantes situées vers l'avant et le milieu de chaque côté du châssis (voir la figure 1-7).
- 2 Pour fixer les rails au châssis, alignez les deux emplacements en forme de J des modules de rails avec les vis à épaulement. Placez chaque rail directement en-dessous des deux vis à épaulement correspondantes (voir la figure 1-7).
- 3 Pour installer les rails, relevez les loquets situés à l'avant de chaque rail. Ensuite, abaissez-les pour les remettre en place sur le châssis.
- 4 Pour retirer les rails du châssis, relevez les loquets avant pour libérer les rails.
- 5 Dégagez les rails des emplacements en forme de J et retirez-les du châssis.

Figure 1-7. Installation et retrait des modules Static Rail



Installation du système dans le rack

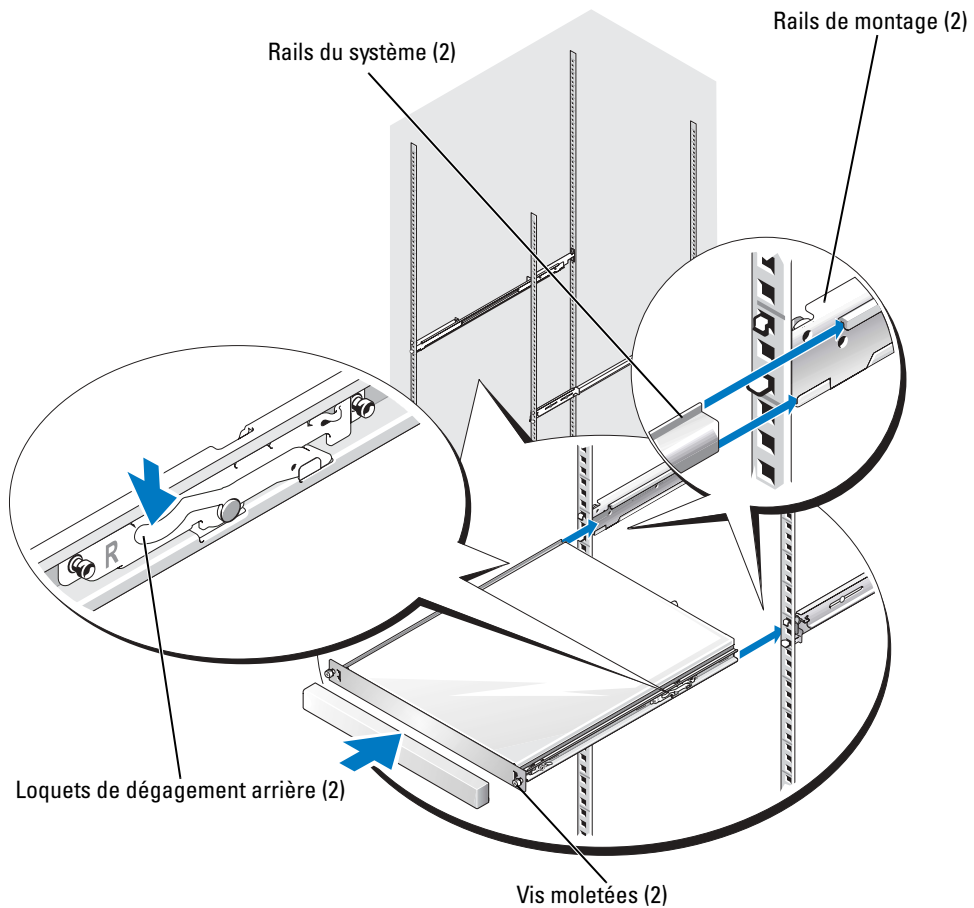
⚠ PRÉCAUTION : si vous installez plusieurs systèmes, installez le premier le plus bas possible dans le rack.

⚠ PRÉCAUTION : en raison de la taille et du poids du système, ne tentez jamais de l'installer seul dans les rails de montage.

Pour installer le système dans le rack, procédez comme suit :

- 1 À l'avant du système, soulevez le châssis et positionnez-le de façon que les rails latéraux soient alignés avec les rails de montage du rack.

Figure 1-8. Installation du système dans le rack



- 2 En opérant de droite à gauche, positionnez le châssis sur les rails de montage, puis faites-le glisser vers l'arrière (voir la figure 1-8).
- 3 Poussez le châssis dans les rails de montage jusqu'à son blocage (voir la figure 1-8).
- 4 Serrez les deux vis moletées du panneau avant du châssis.

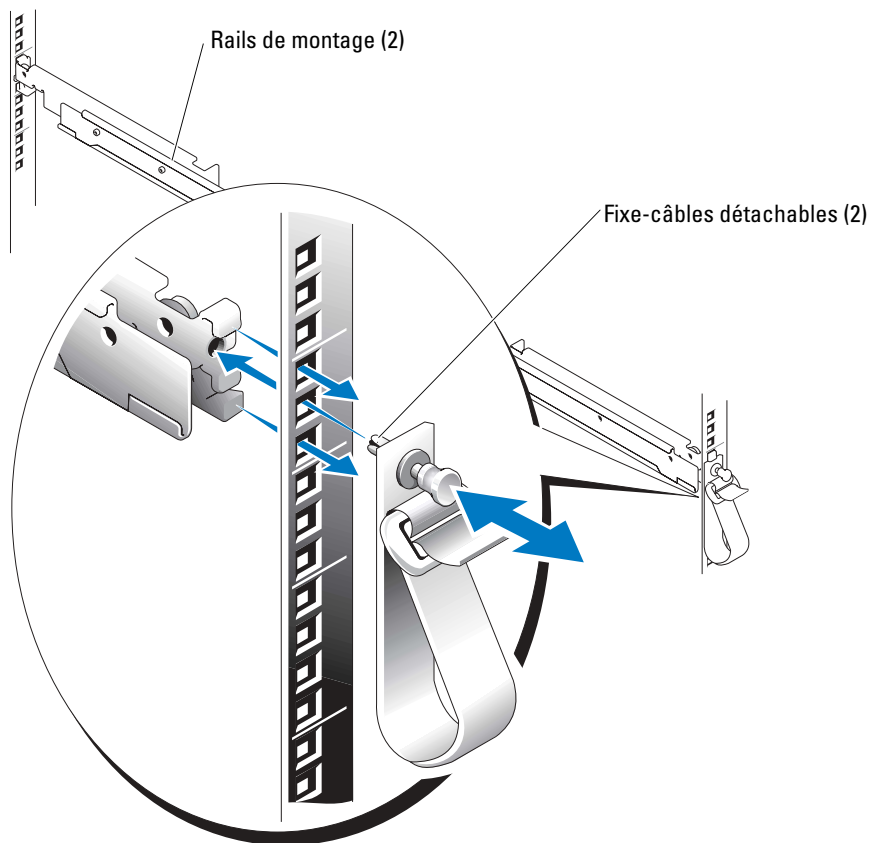
REMARQUE : la figure 1-8 concerne les kits RapidRails, VersaRails et les kits pour racks à deux montants.

Installation des fixe-câbles détachables

Les deux fixe-câbles servent à fixer les câbles du système sur les rails de montage.

- 1 Repérez les points d'insertion des deux fixe-câbles, sur les deux extrémités arrière des plaques de fixation (voir la figure 1-9).

Figure 1-9. Installation des fixe-câbles détachables



- 2 Passez la tige de fixation du fixe-câbles dans le trou d'insertion.
- 3 Enfoncez le système de verrouillage jusqu'à ce qu'il se mette en place.
- 4 Utilisez les fixe-câbles pour fixer les câbles du système sur le rail de montage.

Retrait du système de l'armoire rack

Pour retirer le système du rack, procédez comme suit :



REMARQUE : il n'est pas nécessaire de retirer le cadre avant fourni en option pour installer ou retirer le système du rack.

- 1 Éteignez le système et les périphériques connectés, puis débranchez-le de la prise de courant.
- 2 Desserrez les deux vis moletées situées sur le panneau avant du châssis.
- 3 Repérez les loquets de dégagement arrière situés de chaque côté du système.
- 4 Tirez le système jusqu'à ce qu'il s'arrête sur la butée, puis abaissez les deux leviers de dégagement pour actionner les butées de sécurité des rails latéraux (voir la figure 1-8).
- 5 Retirez complètement le système hors du rack.

Remise en place des portes du rack

Reportez-vous aux procédures de remise en place des portes dans la documentation fournie avec votre rack.



PRÉCAUTION : compte tenu de leur poids et de leur taille, ne retirez ou n'installez jamais les portes sans l'assistance d'une autre personne.

L'installation du système dans une armoire rack à quatre montants est maintenant terminée.

Installation dans un rack à deux montants

Le kit du rack à deux montants sert à installer un système dans un rack à deux montants et à châssis ouvert, système couramment utilisé en télécommunications. Des racks à deux montants d'une largeur de 7,62 cm ou 15,24 cm (soit 3 et 6 pouces) avec un espacement des trous universel ou large peuvent être utilisés. Vous pouvez installer ce kit dans une configuration en montage central ou en encastrement.

Le rack à deux montants doit être correctement fixé au sol, au plafond ou en haut de mur et le cas échéant aux racks adjacents, à l'aide de fixations et de renforts, recommandés ou agréés par le fabricant du rack ou par les normes de l'industrie. Consultez la documentation d'installation fournie par le fabricant du rack à deux montants pour connaître les mises en gardes à respecter avant de commencer l'installation.



PRÉCAUTION : n'essayez pas d'installer ce système dans un rack à deux montants avec châssis ouvert qui n'est pas solidement fixé en place. Vous risqueriez d'endommager le système, de vous blesser ou de blesser d'autres personnes.

Reportez-vous à la section "Consignes de sécurité" pour obtenir des informations supplémentaires sur l'installation du rack.

Outils et fournitures recommandés

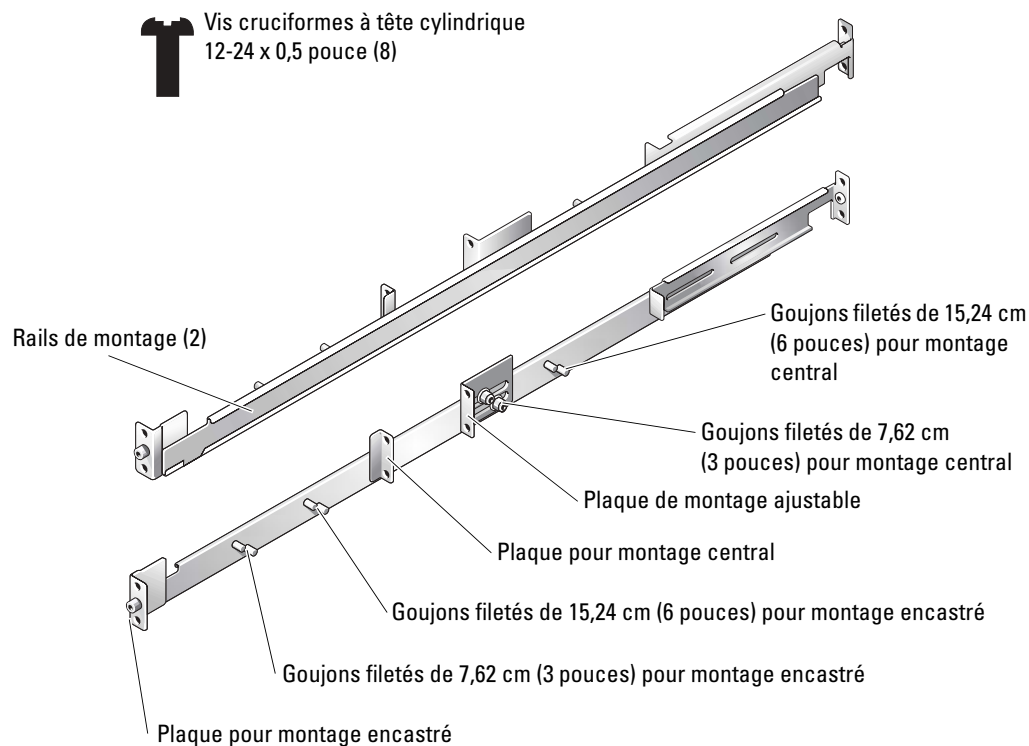
- Tournevis cruciforme n°2
- Une clé plate ou une clé à pipe de 3/8 de pouce (si vous changez le support pour une configuration à encastrement)
- De la bande adhésive ou un stylo feutre pour marquer les trous de montage à utiliser

Contenu du kit de rack

Le kit pour rack à deux montants comprend (voir la figure 1-10) :

- Une paire de rails de montage
- Vis cruciformes à tête cylindrique 12-24 x 0,5 pouce (8)
- Deux fixe-câbles détachables (non représentés sur la figure 1-10)

Figure 1-10. Composants du kit pour rack à deux montants



Tâches d'installation

Pour installer un kit pour rack à deux montants, vous devez effectuer les tâches suivantes dans l'ordre indiqué :

- 1 Marquage du rack
 - Racks à espacement universel des trous
 - Rack à espacement large des trous
- 2 Installation des rails de montage dans le rack
 - Installation en montage central
 - Installation en encastrement
- 3 Installation du système dans le rack
- 4 Acheminement des câbles

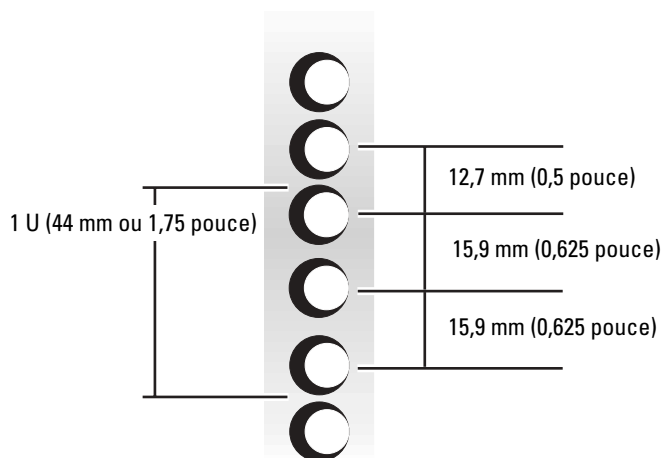
Marquage du rack

Vous devez réserver un espace vertical de 1 U (44 mm ou 1,75 pouce) pour chaque système installé dans le rack à deux montants.

Racks à espacement universel des trous

Les racks à espacement universel des trous alternent un groupe de trois trous par unité. Les espacements entre chacun des trois trous, mesurés du centre d'un trou jusqu'au centre du trou suivant (en commençant par le trou supérieur d'un espace de 1 U) sont respectivement de 15,9 mm, 15,9 mm et 12,7 mm (0,625 pouce, 0,625 pouce et 0,5 pouce) pour la colonne verticale avant et arrière des trous (voir la figure 1-11).

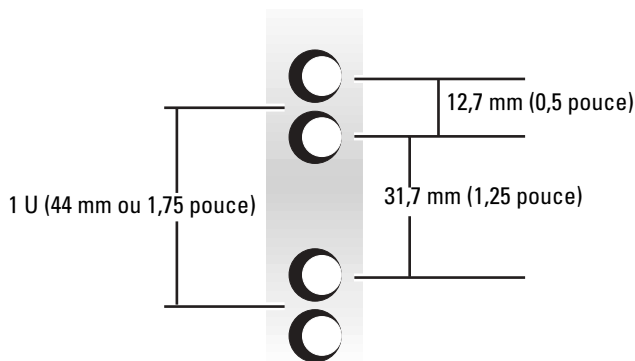
Figure 1-11. Espacement des trous sur un rack universel à 2 montants et châssis ouvert



Racks avec trous à espacement large

Les racks à espacement large des trous alternent un groupe de deux trous par unité. Les espacements entre les deux trous, mesurés d'un centre à l'autre (en commençant par le trou supérieur d'un espace de 1 U), sont respectivement de 31,7 mm et 12,7 mm (1,25 pouce et 0,5 pouce) pour les colonnes de trous avant et arrière (voir la figure 1-12).

Figure 1-12. Espacement large des trous sur un rack à 2 montants avec châssis ouvert



Pour marquer le rack, procédez comme suit :

- 1 Placez une marque sur les rails verticaux avant du rack, à l'endroit correspondant au bas du système à installer dans le rack à deux montants.

La partie inférieure de chaque espacement de 1 U se trouve au centre de la zone métallique la plus étroite entre les trous.

REMARQUE : si votre rack est doté d'un espacement large entre les trous, passez à l'étape 3.

- 2 Placez une marque à 44 mm (1,75 pouce) au-dessus du premier repère que vous avez tracé (ou comptez jusqu'à trois trous dans un rack avec espacement universel des trous) (voir la figure 1-11).

Chaque unité 1 U soit (44 mm ou 1,75 pouce) dans un rack à espacement universel comporte trois trous. Les espacements entre chacun des trois trous, mesurés du centre d'un trou jusqu'au centre du trou suivant (en commençant par le trou supérieur d'un espace de 1 U) sont respectivement de 15,9 mm, 15,9 mm et 12,7 mm (0,625 pouce, 0,625 pouce et 0,5 pouce) (voir la figure 1-11).

REMARQUE : pour un rack avec trous à espacement universel, la procédure de marquage est terminée.

- 3 Placez une marque à 44 mm (1,75 pouce) au-dessus du premier repère que vous avez tracé (ou comptez jusqu'au trou suivant dans un rack avec trous à espacement large). Voir la figure 1-12.

Chaque unité 1 U (soit 44 millimètres ou 1,75 pouce) dans un rack avec trous à espacement large comporte deux trous. L'espace entre les centres des trous (en commençant par la partie supérieure d'un espace de 1 U) est de 31,7 mm (1,25 pouce). Voir la figure 1-12.

Installation des rails de montage

Vous pouvez installer les rails de montage dans un rack à deux montants à châssis ouvert doté d'un espacement universel des trous (voir la figure 1-11) ou d'un espacement large des trous (voir la figure 1-12). Vous pouvez installer les rails dans une configuration à montage central ou en encastrement.



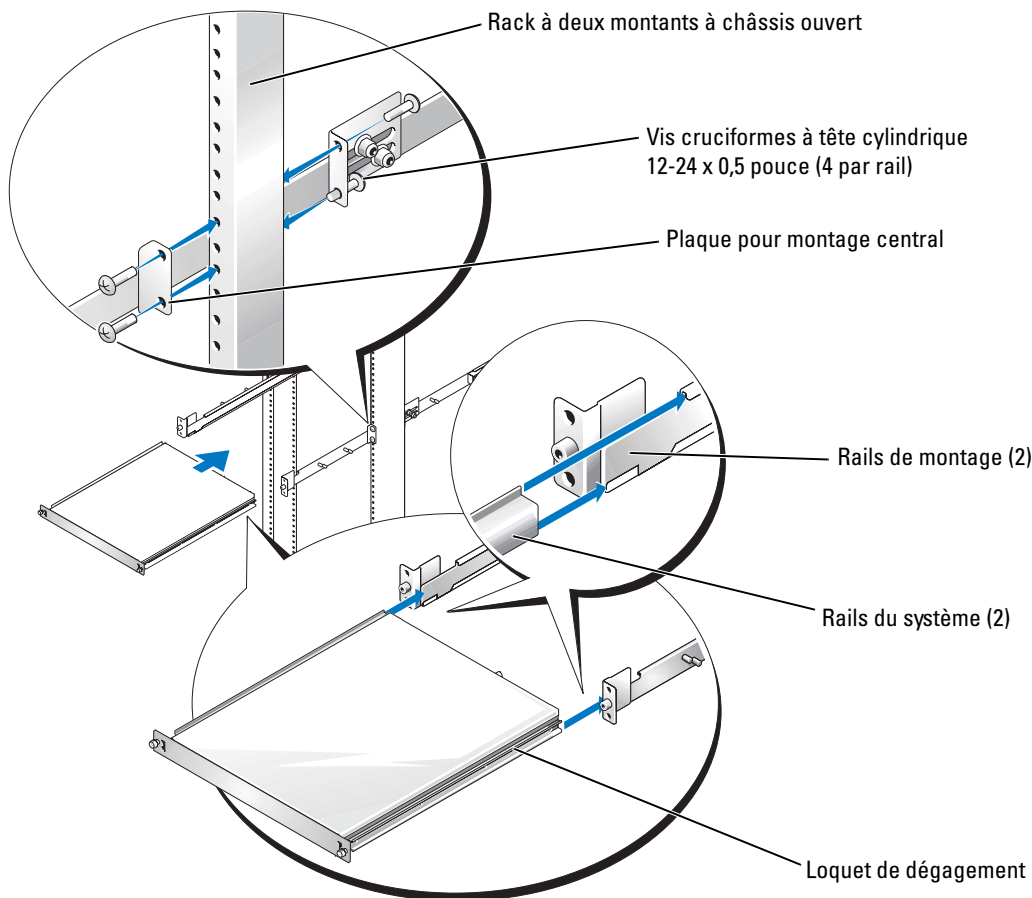
PRÉCAUTION : n'installez pas d'autre système avec ce kit de rack. Utilisez uniquement le kit de rack prévu pour le système. Si vous employez le kit d'un autre système, vous risquez d'endommager le système et d'exposer autrui et vous-même à des risques de blessures.

Installation à montage central

Le kit pour rack à deux montants est fourni avec des supports configurés pour une installation à montage central de 7,62 cm (3 pouces) de large. Consultez la figure 1-10 pour connaître les composants. Pour effectuer l'installation, procédez comme suit :

- 1 Repérez le rail de montage de droite et poussez la plaque de montage ajustable vers l'arrière du rail (voir la figure 1-13).
- 2 Positionnez le rail de droite dans le rack, à l'emplacement que vous avez marqué. Poussez la plaque ajustable vers l'avant contre le rack vertical, puis fixez les plaques de montage à l'aide de quatre vis cruciformes 12-24 x 0,5 pouce (voir la figure 1-13).
- 3 Répétez la procédure, de l'étape 1 à l'étape 2, pour installer le rail de montage gauche dans le rack.

Figure 1-13. Installation des rails de montage pour une configuration à montage central



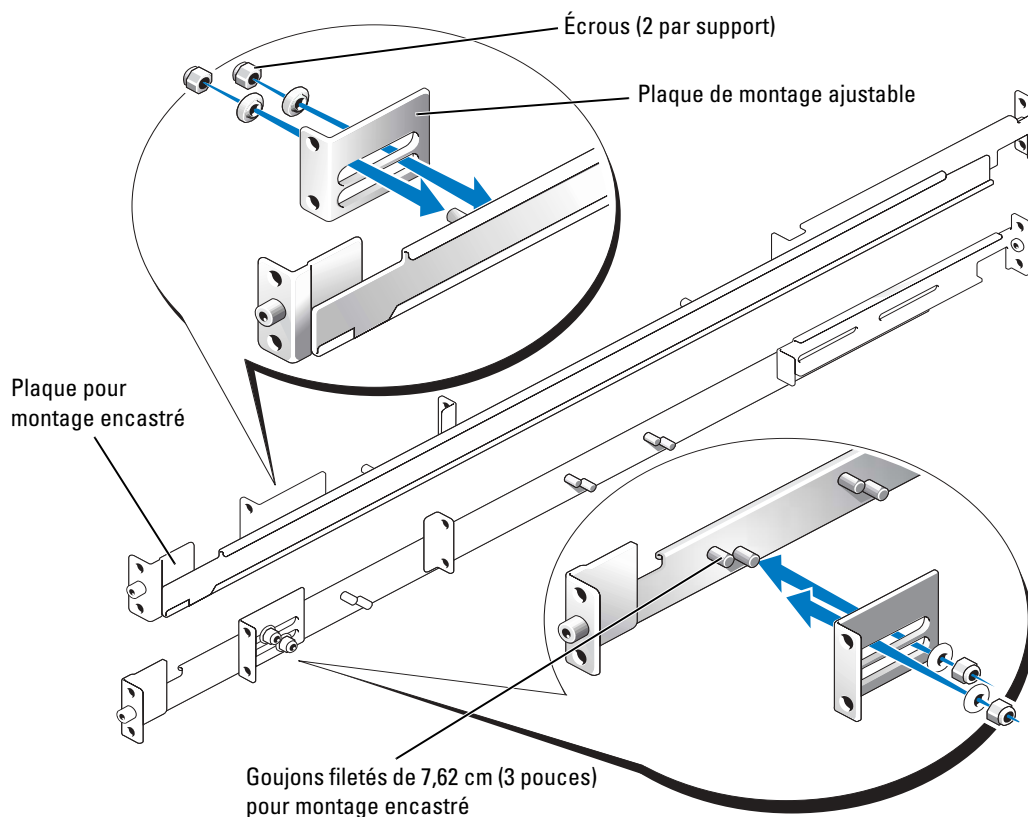
Installation encastrée

Le kit pour rack à deux montants est fourni avec des supports configurés pour une installation à montage central de 7,62 cm (3 pouces) de large. Voir la figure 1-10 pour connaître les composants. Pour préparer les rails de montage en vue d'une installation encastrée, procédez comme suit :

- 1** Repérez les deux rails de montage et placez-les côte à côte sur une surface de travail lisse, en orientant les extrémités avant des rails vers vous (voir la figure 1-14).
- 2** À l'aide d'une clé de 3/8 de pouce, retirez deux écrous de la plaque ajustable (voir la figure 1-14).
- 3** Retirez le support et placez-le sur le goujon fileté de 7,62 cm ou 15,24 cm (3 ou 6 pouces) pour montage encastré (voir la figure 1-14).

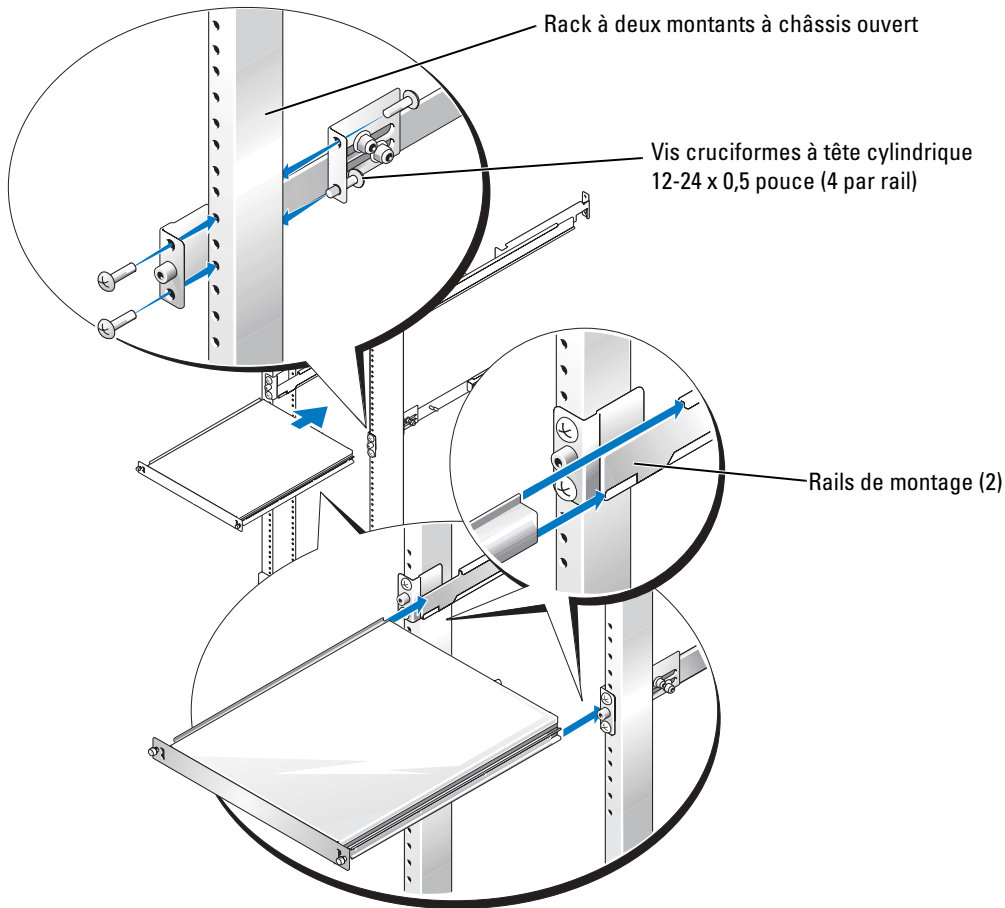
- 4 Refixez la plaque de montage ajustable en resserrant les deux écrous retirés lors de l'étape 2 (voir la figure 1-14).
- 5 Répétez la procédure, de l'étape 2 à l'étape 4, pour l'autre rail de montage.

Figure 1-14. Configuration de la plaque de montage ajustable pour une installation encastrée



- 6 En maintenant le rail de gauche à l'emplacement que vous avez marqué, positionnez la plaque pour montage encastré contre l'avant du rack vertical à deux montants, et fixez-le au rail à deux montants à l'aide de deux vis cruciformes 12-24 x 0,5 pouce (voir la figure 1-15).
- 7 Faites glisser la plaque de montage ajustable jusqu'à l'arrière du rack vertical à deux montants, et fixez-le au rail à deux montants à l'aide de deux vis cruciformes 12-24 x 0,5 pouce (voir la figure 1-15).
- 8 Répétez la procédure, de l'étape 6 à l'étape 7, pour installer le rail de montage droit dans le rack.
- 9 À l'aide d'une clé plate ou à pipe de 3/8 de pouce, resserrez à fond les boulons que vous aviez serrés à la main sur les plaques de montage des deux rails.

Figure 1-15. Installation des rails de montage pour une configuration à montage encastré



Installation du système dans le rack

Pour plus d'instructions, voir "Installation du système dans le rack", dans la section "Installation dans un rack à quatre montants".

Installation des fixe-câbles détachables

Pour plus d'instructions, voir "Installation des fixe-câbles détachables" dans la section "Installation dans un rack à quatre montants".

Vous avez maintenant terminé l'installation du kit pour un rack à deux montants.

Index

C

- Configuration à montage central, 50
- Configuration encastrée, 51
- Consignes de sécurité, 33
- Contenu
 - kit du rack à deux montants, 47
 - kit RapidRails, 36
 - kit VersaRails, 36

F

- Fixe-câbles
 - installation, 53

I

- Installation
 - dans un rack à deux montants, 53
 - dans un rack à quatre montants, 43
 - fixe-câble pour rack à deux montants, 53
 - fixe-câble pour rack à quatre montants, 45

Installation (*suite*)

- kit du rack à deux montants, 46, 50-51
- kit du rack à quatre montants, 41
- modules Static Rail, 42
- rails de montage
 - RapidRails, 41
 - rails de montage VersaRails, 42-43

K

- Kit du rack à deux montants
 - contenu, 47
 - installation des rails de montage, 50
 - installation du système, 53
 - marquage du rack, 48
 - outils et fournitures, 47

Kit du rack à quatre montants

- kit RapidRails, 36
- kit VersaRails, 36
- outils et fournitures, 35

M

- Marquage du rack
 - kit du rack à deux montants, 48-49
- Kit du rack à quatre montants, 38

O

- Outils et fournitures
 - kit du rack à deux montants, 47
 - kit du rack à quatre montants, 35

P

- Pieds stabilisateurs du rack, 35
- Portes
 - remplacement, 46
 - retrait, 38
- Précautions de montage des racks, 34

R

Rack à quatre montants
retrait du système, 46

Rails verticaux
marquage, 38
unité à un rack, 38

RapidRails
contenu du kit, 36

Remise en place des portes
du rack, 46

Retrait du système
rack à quatre montants, 46

S

Spécifications de rack
requis pour les rails
VersaRails, 35

U




Unité de rack, 38

V

VersaRails
contenu du kit, 36-37, 45
installation, 42-43

Rack-Installationsanleitung

Anmerkungen, Hinweise und Warnungen

-  **ANMERKUNG:** Eine ANMERKUNG macht auf wichtige Informationen aufmerksam, die Ihnen die Arbeit mit dem Computer erleichtern.
-  **HINWEIS:** Ein HINWEIS warnt vor möglichen Beschädigungen der Hardware oder Datenverlust und zeigt, wie diese vermieden werden können.
-  **VORSICHT:** VORSICHT zeigt eine potenziell gefährliche Situation an, die zu Sachschäden, Verletzungen oder zum Tod führen könnte.

Irrtümer und technische Änderungen vorbehalten.
© 2005 Dell Inc. Alle Rechte vorbehalten.

Die Reproduktion dieses Dokuments in jeglicher Form ohne vorherige schriftliche Genehmigung von Dell Inc. ist streng verboten.

Marken in diesem Text: *Dell*, das *DELL* Logo, *RapidRails* und *VersaRails* sind Marken von Dell Inc.

Alle anderen in dieser Dokumentation genannten Marken und Handelsbezeichnungen sind Eigentum der jeweiligen Hersteller und Firmen. Dell Inc. erhebt keinen Anspruch auf Marken und Handelsbezeichnungen mit Ausnahme der eigenen.

Inhalt

| | |
|---|-----------|
| Sicherheitshinweise | 61 |
| SICHERHEIT: Montieren von Systemen im Rack | 61 |
| Installationsanleitung | 62 |
| Bevor Sie beginnen | 62 |
| Wichtige Sicherheitshinweise | 63 |
| Rack-Anforderungen für VersaRails | 63 |
| Montage in einem Rack mit vier Stützen | 63 |
| Rack-Stabilisatoren | 63 |
| Empfohlene Werkzeuge und Zubehör | 63 |
| Inhalt des RapidRails-Rack-Kits | 64 |
| Inhalt des VersaRails-Rack-Kits | 64 |
| Ablauf der Installation | 65 |
| Rack-Türen abnehmen | 66 |
| Rack markieren | 66 |
| Installation der Montageschienen im Rack | 68 |
| Feste Schienenmodule einbauen und entfernen | 70 |
| Montieren des Systems im Rack | 71 |
| Befestigen der lösbaren Kabelbinder | 73 |
| Entfernen des Systems aus dem Rack | 74 |
| Wiederanbringen der Rack-Türen | 74 |
| Montage in einem Zwei-Stützen-Rack | 74 |
| Empfohlene Werkzeuge und Zubehör | 75 |
| Inhalt des Rack-Kits | 75 |
| Ablauf der Installation | 76 |
| Markieren des Racks | 76 |
| Einbau der Montageschienen | 78 |
| System im Rack installieren | 81 |
| Befestigen der lösbaren Kabelbinder | 81 |
| Index | 83 |

Abbildungen

| | | |
|-----------------|---|----|
| Abbildung 1-1. | Inhalt des RapidRails-Rack-Kits | 64 |
| Abbildung 1-2. | Inhalt des VersaRails-Rack-Kits | 65 |
| Abbildung 1-3. | Eine Rack-Einheit | 66 |
| Abbildung 1-4. | Vertikale Schienen markieren | 67 |
| Abbildung 1-5. | Einbau der RapidRails-Montageschienen | 69 |
| Abbildung 1-6. | Einbau der VersaRails-Montageschienen | 70 |
| Abbildung 1-7. | Feste Schienenmodule einbauen und entfernen | 71 |
| Abbildung 1-8. | System im Rack installieren | 72 |
| Abbildung 1-9. | Befestigen der lösbaren Kabelbinder | 73 |
| Abbildung 1-10. | Komponenten des Zwei-Stützen-Rack-Kits | 75 |
| Abbildung 1-11. | Universeller Lochabstand beim offenen Zwei-Stützen-Relaisgestell | 76 |
| Abbildung 1-12. | Weiter Lochabstand beim offenen Zwei-Stützen-Relaisgestell | 77 |
| Abbildung 1-13. | Einbau der Montageschienen bei Mittenmontage | 79 |
| Abbildung 1-14. | Vorbereiten der einstellbaren Montagehalterung für bündige Montage | 80 |
| Abbildung 1-15. | Einbau der Montageschienen mit bündiger Montage | 81 |


Sicherheitshinweise


Beachten Sie die nachfolgenden Sicherheitshinweise, um Ihre eigene Sicherheit zu gewährleisten und eine Beschädigung des Systems und der Arbeitsumgebung zu vermeiden. Vollständige Informationen über die Sicherheitsanforderungen finden Sie im *Produktinformationshandbuch*.


SICHERHEIT: Montieren von Systemen im Rack

Beachten Sie die folgenden Vorsichtsmaßnahmen für die Stabilität und Sicherheit des Racks.

Systeme gelten als Komponenten in einem Rack. Der Begriff „Komponente“ bezieht sich also auf ein beliebiges System oder auch Peripheriegeräte und Zusatzhardware.

 **VORSICHT: Bevor Sie Systeme in einem Rack installieren, befestigen Sie bei frei stehenden Racks die vorderen und seitlichen Stabilisatoren. Befestigen Sie bei Racks, die mit anderen Racks verbunden sind, die vorderen Stabilisatoren. Wenn vor dem Einsetzen von Systemen in einem Rack keine Stabilisatoren angebracht werden, kann das Rack unter Umständen umkippen und Verletzungen verursachen. Befestigen Sie daher immer zuerst die Stabilisatoren, bevor Sie Komponenten im Rack installieren.**

 **VORSICHT: Ziehen Sie nach dem Einbau von Komponenten in einem Rack niemals mehr als eine Komponente gleichzeitig auf ihren Gleitschienen aus dem Rack. Durch das Gewicht von mehr als einer Komponente kann das Rack umkippen und Verletzungen verursachen.**

 **ANMERKUNG:** Das System ist als frei stehende Einheit und als Komponente in einem Gestellschrank unter Verwendung des Customer-Rack-Kits sicherheitszertifiziert, wenn sowohl der Gestellschrank als auch das Rack-Kit für das betreffende System vorgesehen sind. Der Einbau des Systems und des Rack-Kits in anderen Gestellschränken ist von keiner Prüfbehörde abgenommen. In diesem Fall müssen Sie selbst die Eignung der endgültigen Kombination von System und Rack-Kit für einen bestimmten Gestellschrank durch eine zugelassene Prüfbehörde untersuchen lassen. Der Hersteller lehnt jede Haftung und Gewährleistung für derartige Kombinationen ab.

- System-Rack-Kits sollten von geschulten Servicetechnikern in einem zugelassenen Rack installiert werden. Wenn Sie das Kit in einem anderen Rack installieren, vergewissern Sie sich, dass das Rack die Spezifikationen erfüllt.
- Bevor Sie an einem Rack arbeiten, vergewissern Sie sich, dass die Stabilisatoren sicher am Rack befestigt sind und dass das gesamte Gewicht des Racks auf dem Boden lastet. Montieren Sie an einem einzelnen Rack vordere und seitliche Stabilisatoren, und an mehreren miteinander verbundenen Racks vordere Stabilisatoren, bevor Sie Arbeiten am Rack durchführen.
- Bestücken Sie das Rack immer von unten nach oben, und setzen Sie die schwerste Komponente zuerst ein.

- Vergewissern Sie sich, dass das Rack gerade und stabil steht, bevor Sie eine Komponente aus dem Rack ziehen.
- Überlasten Sie nicht den Wechselstromkreis für das Rack. Die Gesamtlast des Racks sollte 80 Prozent der Nennbelastbarkeit des Stromkreises nicht überschreiten.
- Überprüfen Sie, ob eine ausreichende Luftzufuhr zu den Komponenten im Rack gewährleistet ist.
- Stellen Sie sich nicht auf Systeme oder Komponenten, wenn Sie an anderen Komponenten in einem Rack Arbeiten durchführen.

Installationsanleitung

Diese Installationsanleitung enthält Anweisungen für geschulte Servicetechniker zur Montage eines oder mehrerer Systeme in einem offenen Relaisgestell oder einem Gestellschrank. Das RapidRails™ Rack-Kit kann ohne Werkzeuge in allen Gestellschränken des Systemherstellers montiert werden und das VersaRails™ Rack-Kit in den meisten Standardgestellschränken. Die Montage der RapidRails- und VersaRails-Rack-Kits verläuft ähnlich. Für jedes im Rack installierte System wird ein Rack-Kit benötigt.

Diese Anleitung enthält eine Anleitung für folgende Rack-Kits:

- RapidRails-Kit in einem Gestellschrank mit vier Stützen
- VersaRails-Kit in einem Gestellschrank mit vier Stützen
- Zwei-Stützen-Kit (für Mittenmontage oder bündige Montage)

Bevor Sie beginnen

Lesen Sie vor dem Einbau des Systems im Rack sorgfältig die „Sicherheitshinweise“ am Anfang dieser Anleitung sowie die Sicherheitshinweise im *Produktinformationshandbuch*.



VORSICHT: Wenn Sie mehrere Systeme in einem Rack installieren, schließen Sie alle Maßnahmen für ein System ab, bevor Sie das nächste System installieren.



VORSICHT: Die Racks können sehr schwer sein und leicht auf ihren Rollen wegrollen. Sie haben keine Bremsen! Bewegen Sie das Rack nur mit größter Vorsicht. Fahren Sie die höhenverstellbaren Füße ein, bevor Sie das Rack bewegen. Vermeiden Sie lange bzw. steile Neigungen oder Rampen, auf denen Sie die Kontrolle über das Rack verlieren könnten. Fahren Sie die höhenverstellbaren Füße aus, damit das Rack abgestützt wird und nicht wegrollen kann.



ANMERKUNG: Wie das System selbst installiert wird, erfahren Sie unter „Montieren des Systems im Rack“.


Wichtige Sicherheitshinweise

Beachten Sie beim Einbau des Systems im Rack die Sicherheitsmaßnahmen in den folgenden Unterabschnitten.

 **VORSICHT:** Befolgen Sie die in diesem Dokument angegebene Vorgehensweise genau, um sich selbst und andere Personen nicht zu gefährden. Ihr System kann sehr groß und schwer sein. Sie sollten die Installation sorgfältig vorbereiten und planen, um Verletzungen zu vermeiden. Diese Vorkehrungen gelten umso mehr, wenn Systeme oben im Rack installiert werden.

 **VORSICHT:** Installieren Sie keine Rack-Kit-Komponenten, die für andere Systeme vorgesehen sind. Verwenden Sie ausschließlich das für das System vorgesehene Rack-Kit. Wenn Sie das Rack-Kit für ein anderes System verwenden, könnte das System beschädigt und Sie selbst oder andere Personen verletzt werden.


Rack-Anforderungen für VersaRails

 **HINWEIS:** Das VersaRails-Rack-Kit ist zur Installation durch geschulte Servicetechniker in einem Rack vorgesehen, das den Spezifikationen ANSI/EIA-310-D-92 (American National Standards Institute bzw. Electronic Industries Association), IEC 297 (International Electrotechnical Commission) und der DIN 41494 (Deutsches Institut für Normung) entspricht. Für jedes in einem Rack montierte System wird ein Rack-Kit benötigt.

Montage in einem Rack mit vier Stützen

Bevor Sie mit der Installation beginnen, lesen Sie diese Anleitung sorgfältig durch.

Rack-Stabilisatoren

 **VORSICHT:** Bevor Sie Systeme in einem Rack einbauen, installieren Sie bei frei stehenden Racks die vorderen und seitlichen Stabilisatoren und bei Racks, die mit anderen Racks verbunden sind, die vorderen Stabilisatoren. Wenn vor dem Einsetzen von Systemen in einem Rack keine Stabilisatoren angebracht werden, kann das Rack unter Umständen umkippen und Verletzungen verursachen. Befestigen Sie daher immer zuerst die Stabilisatoren, bevor Sie Komponenten im Rack installieren.

Die Stabilisatoren verhindern das Umkippen des Racks. Anleitungen zur Installation und Befestigung der Stabilisatoren finden Sie in der mit dem Gestellschrank gelieferten Dokumentation.

Empfohlene Werkzeuge und Zubehör

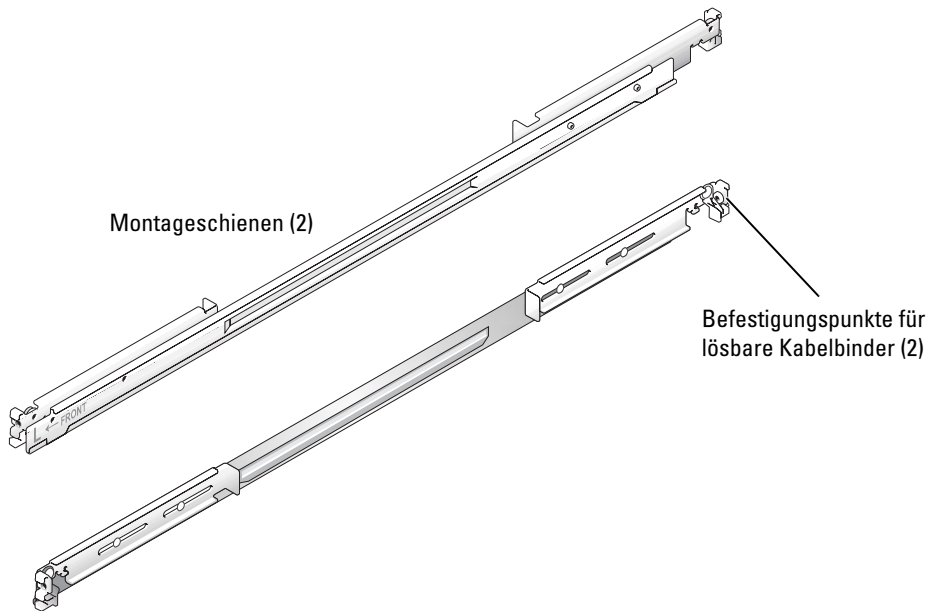
Sie benötigen eventuell folgende Hilfsmittel zur Installation des Systems in einem Rack mit vier Stützen:

- Kreuzschlitzschraubendreher der Größe 2
- Kreppband oder einen Filzstift zur Markierung der verwendeten Montagelöcher

Inhalt des RapidRails-Rack-Kits

- Ein Paar RapidRails-Montageschienen
- Lösbare Kabelbinder (2) (nicht dargestellt in Abbildung 1-1)

Abbildung 1-1. Inhalt des RapidRails-Rack-Kits



Inhalt des VersaRails-Rack-Kits

- Ein Paar VersaRails-Montageschienen
- 10-32 x 0,5-Zoll Kreuzschlitz-Bundschrauben (8)
- Lösbare Kabelbinder (2) (nicht dargestellt in Abbildung 1-2)


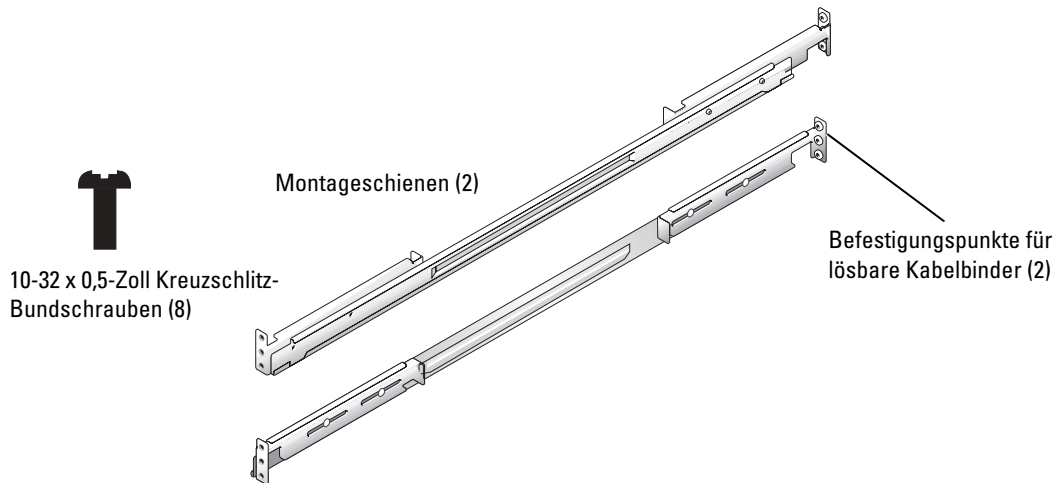
 **ANMERKUNG:** Die in den Abbildungen und Anweisungen genannten nichtmetrischen Schrauben werden nach ihrer Größe und der Anzahl der Windungen pro Zoll bezeichnet. So wird z. B. eine Kreuzschlitzschraube Nr. 10 mit 32 Windungen pro Zoll als 10-32-Schraube bezeichnet.

Abbildung 1-2. Inhalt des VersaRails-Rack-Kits



Ablauf der Installation

Bei der Montage eines Rack-Kits sind die folgenden Arbeitsschritte (ausführlich in den nächsten Abschnitten beschrieben) nacheinander auszuführen:

- 1** Rack-Türen abnehmen
- 2** Rack markieren
- 3** Montageschienen im Rack installieren
 - RapidRails installieren
 - VersaRails installieren
 - Feste Schienen installieren
- 4** System im Rack installieren
- 5** Kabel verlegen und mit lösbaren Kabelbindern sichern
- 6** Rack-Türen wiederanbringen



ANMERKUNG: Schritt 3 umfasst drei Vorgänge, die sich auf das RapidRails-Kit, das VersaRails-Kit und das Kit für die festen Schienen beziehen.

Rack-Türen abnehmen

Siehe Vorgehensweise zum Entfernen der Türen in der Dokumentation des Racks.

⚠ VORSICHT: Wegen der Größe und des Gewichts der Rack-Türen sollten Sie keinesfalls versuchen, sie alleine abzunehmen oder einzubauen.

⚠ VORSICHT: Stellen Sie die Türen so ab, dass niemand verletzt wird, wenn diese versehentlich umfallen.

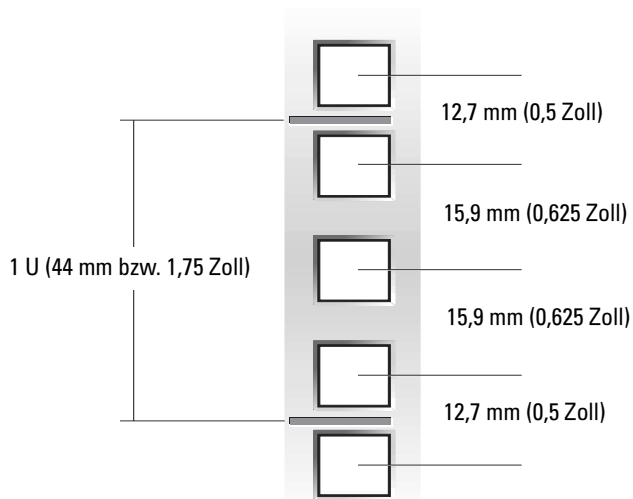
Rack markieren

Bei einem 1-U-System benötigen Sie für jedes System, das Sie im Rack installieren, einen vertikalen Abstand von 1 U (44 mm bzw. 1,75 Zoll).

Gestellschränke, die den EIA-310-Standards entsprechen, weisen ein sich wiederholendes Muster aus drei Löchern pro Rack-Einheit auf, deren Mittenabstand zueinander (beginnend mit dem oberen Loch einer 1-U-Einheit) 15,9 mm, 15,9 mm und 12,7 mm (0,625, 0,625 und 0,5 Zoll) an den vorderen und hinteren vertikalen Schienen beträgt (siehe Abbildung 1-3). Die Racks haben meist runde oder rechteckige Löcher.

🔍 ANMERKUNG: Die vertikalen Schienen sind eventuell in Abständen von 1 U mit horizontalen Linien und Zahlen markiert. Notieren Sie sich die Nummer der Markierung auf der vertikalen Schiene. So brauchen Sie keine zusätzlichen Markierungen oder Kreppband am Rack anzubringen.

Abbildung 1-3. Eine Rack-Einheit



⚠ VORSICHT: Wenn Sie mehr als ein System installieren, bauen Sie die Montageschienen so ein, dass das erste System möglichst weit unten im Rack sitzt.

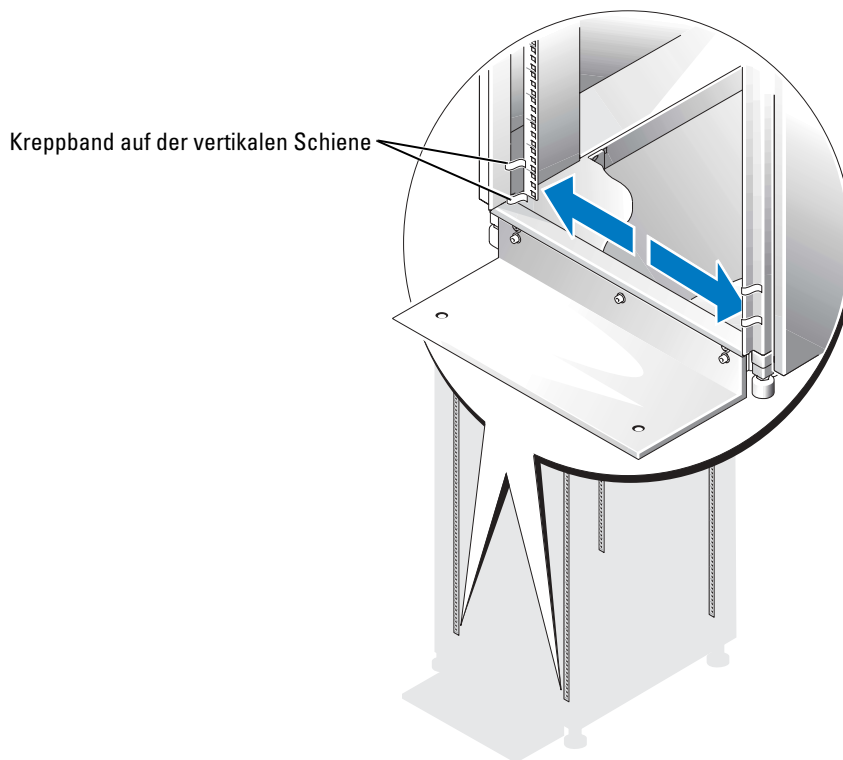
Gehen Sie zum Markieren des Racks wie folgt vor:

- 1 Bringen Sie auf den vorderen vertikalen Schienen des Racks eine Markierung (mit Stift oder Klebeband) an der Stelle an, an der sich die Unterseite des Systems befinden soll, das Sie in den Rack einbauen möchten.

Die Unterkante jeder 1-U-Einheit befindet sich in der Mitte des schmalsten Metallstücks zwischen den Löchern (bei einigen Racks mit einer horizontalen Linie gekennzeichnet, siehe Abbildung 1-4).

- 2 Bringen Sie 44 mm (1,75 Zoll) über der Originalmarkierung eine Markierung an (oder zählen Sie in einem Rack nach EIA-310-Standard drei Löcher nach oben). Markieren Sie die vorderen vertikalen Schienen mit einem Filzstift oder einem Stück Kreppband (falls Sie die Löcher gezählt haben, bringen Sie direkt über dem oberen Loch eine Markierung an). Die Markierung bzw. das Kreppband zeigt die spätere Position der Oberkante des Systems an den vertikalen Schienen (siehe Abbildung 1-4).

Abbildung 1-4. Vertikale Schienen markieren

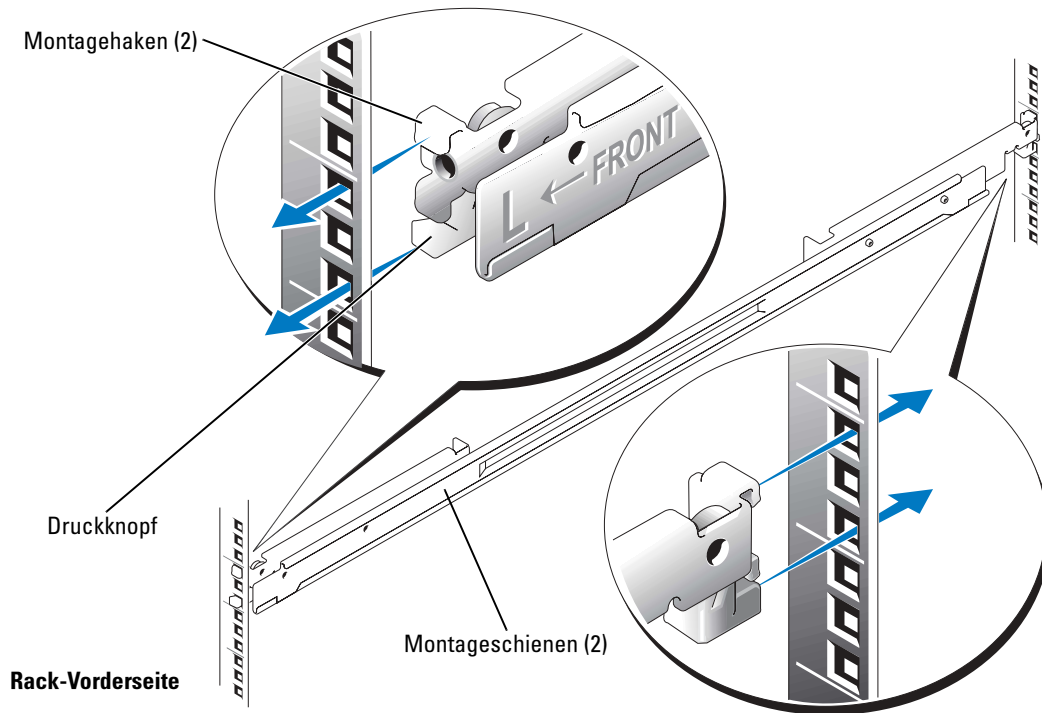


Installation der Montageschienen im Rack

Einbau der RapidRails-Montageschienen

- 1** Setzen Sie eine der RapidRails-Montageschienen so an der Vorderseite des Gestellschranks an, dass der zugehörige Montagehalterungsflansch zwischen die Markierungen bzw. Kreppbänder (oder an die Markierung mit der richtigen Zahl) an den vertikalen Schienen zu liegen kommt (siehe Abbildung 1-5).
Der obere Montagehaken am vorderen Montagehalterungsflansch sollte in das obere Loch zwischen Ihren Markierungen auf den vertikalen Schienen eingreifen.
- 2** Schieben Sie die Montageschiene nach vorn, bis die Montagehaken in die Rechtecklöcher eingreifen, und drücken Sie dann den Montagehalterungsflansch nach unten, bis die Montagehaken sitzen und der Verriegelungsknopf herauspringt und einrastet (siehe Abbildung 1-5).
- 3** Ziehen Sie an der Rückseite des Gestellschranks den Flansch der Montagehalterung nach hinten, bis die Montagehaken in die Rechtecklöcher eingreifen. Drücken Sie dann den Flansch nach unten, bis die Montagehaken sitzen und der Verriegelungsknopf herausspringt und einrastet.
- 4** Wiederholen Sie Schritt 1 bis Schritt 3 für die Montageschiene auf der anderen Seite des Racks.
- 5** Achten Sie darauf, dass die Montageschienen auf beiden Rack-Seiten in der gleichen Höhe an den vertikalen Schienen befestigt werden.

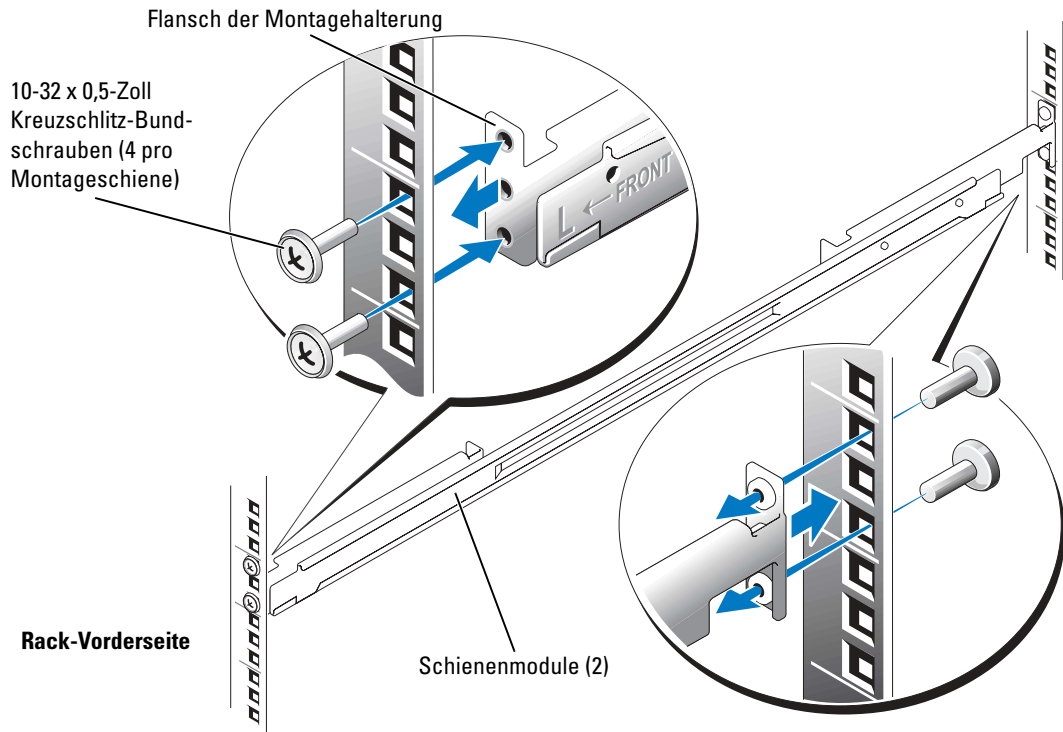
Abbildung 1-5. Einbau der RapidRails-Montageschienen



Einbau der RapidRails-Montageschienen

- 1** Setzen Sie eine der VersaRails-Montageschienen so an der Vorderseite des Gestellschanks an, dass der Montagehalterungsflansch zwischen die Markierungen (oder die nummerierten Stellen) auf den vertikalen Schienen zu liegen kommt (siehe Abbildung 1-6).
Die drei Löcher an der Vorderseite des Montagehalterungsflansches sollten mit den Löchern zwischen Ihren Markierungen an der vorderen vertikalen Schiene übereinstimmen.
- 2** Befestigen Sie die Montageschiene durch je eine 10-32 x 0,5 Zoll Kreuzschlitz-Bundschraube im oberen und unteren Loch des Montageflanschs an der vorderen vertikalen Schiene.
- 3** Ziehen Sie den Montagehalterungsflansch auf der Rack-Rückseite nach hinten, bis seine Montagelöcher mit den rechteckigen Löchern auf der hinteren vertikalen Schiene übereinstimmen.
- 4** Befestigen Sie die Montageschiene durch je eine 10-32 x 0,5 Zoll Kreuzschlitz-Bundschraube im oberen und unteren Loch des Montageflanschs an der hinteren vertikalen Schiene.
- 5** Wiederholen Sie Schritt 1 bis Schritt 4 für die Montageschiene auf der anderen Seite des Racks.
- 6** Achten Sie darauf, dass die Montageschienen auf jeder Rack-Seite jeweils an der gleichen Stelle an den vertikalen Schienen montiert werden.

Abbildung 1-6. Einbau der VersaRails-Montageschienen

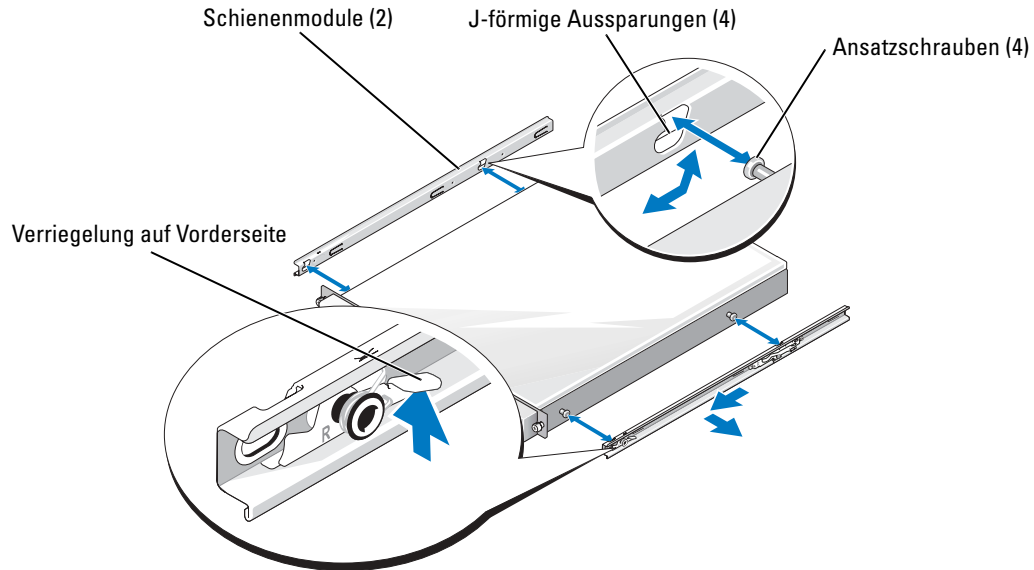


Feste Schienenmodule einbauen und entfernen

ANMERKUNG: Um die festen Schienenmodule zu installieren oder zu entfernen, brauchen Sie die optionale Frontblende nicht abzunehmen.

- 1 Verwenden Sie zur Installation die J-förmigen Aussparungen an den Schienen. Identifizieren Sie die Ansatzschrauben auf beiden Seiten des Gehäuses vorn und in der Mitte (siehe Abbildung 1-7).
- 2 Um die Schienen am Gehäuse zu befestigen, richten Sie die beiden J-förmigen Aussparungen an den Schienenmodulen mit den Ansatzschrauben aus. Halten Sie jede Schiene direkt unter die entsprechenden Ansatzschrauben (siehe Abbildung 1-7).
- 3 Um die Schienen anzusetzen, drücken Sie den Verriegelungshebel auf der Vorderseite der jeweiligen Schiene nach oben. Ziehen Sie jede Schiene nach oben und nach hinten, und lassen Sie sie so am Gehäuse einrasten.
- 4 Um die Schienen vom Gehäuse zu entfernen, drücken Sie den jeweiligen Verriegelungshebel nach oben und geben Sie so die Schienen frei.
- 5 Lösen Sie die Schienen aus den J-förmigen Aussparungen, und entfernen Sie die Schienen vom Gehäuse.

Abbildung 1-7. Feste Schienenmodule einbauen und entfernen



Montieren des Systems im Rack

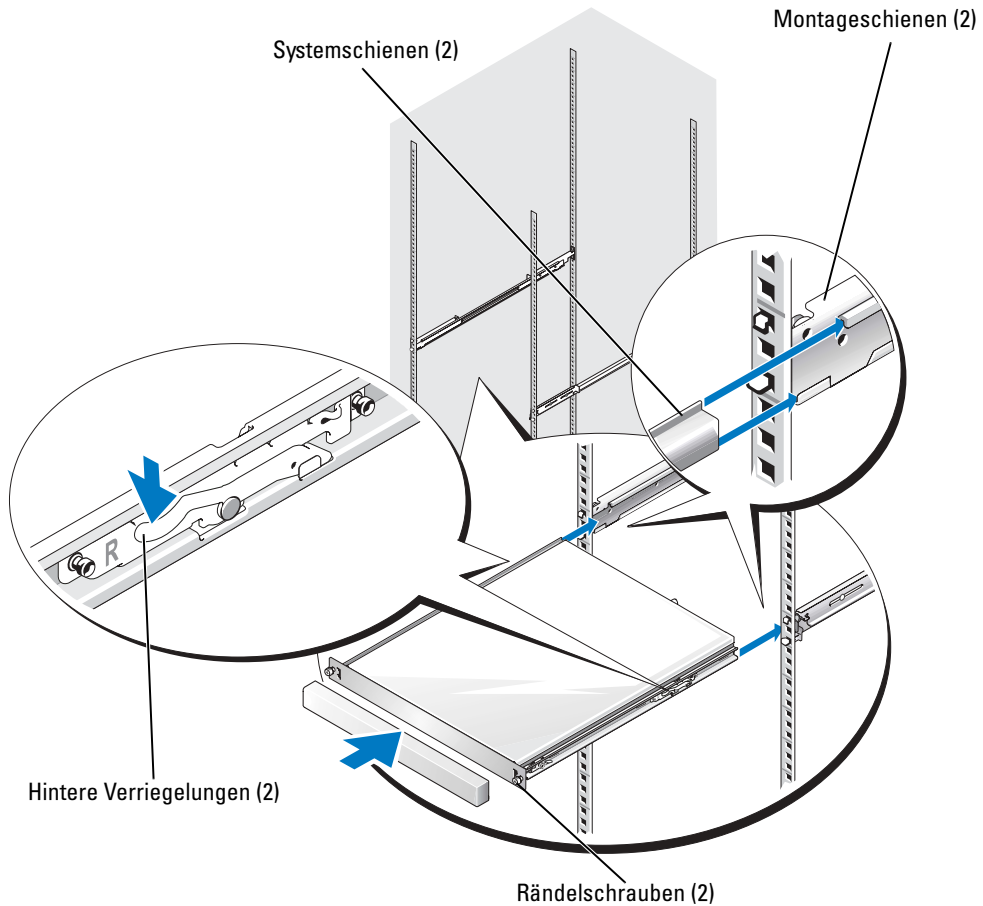
⚠ VORSICHT: Wenn Sie mehr als ein System installieren, installieren Sie das erste System in der untersten möglichen Position im Rack.

⚠ VORSICHT: Wegen der Größe und des Gewichts des Systems sollten Sie niemals versuchen, das System ohne fremde Hilfe in den Montageschienen zu installieren.

Um das System im Rack zu installieren, gehen Sie wie folgt vor:

- 1 Heben Sie das Gehäuse von der Vorderseite des Systems aus in Position, so dass die seitlichen Schienen mit den Montageschienen am Rack ausgerichtet sind.

Abbildung 1-8. System im Rack installieren



- 2** Positionieren Sie das Gehäuse an den Montageschienen und schieben Sie es nach hinten (siehe Abbildung 1-8).
- 3** Schieben Sie das Gehäuse bis zum Anschlag in die Montageschienen (siehe Abbildung 1-8).
- 4** Sichern Sie das Gehäuse mit den beiden Rändelschrauben auf der Vorderseite.

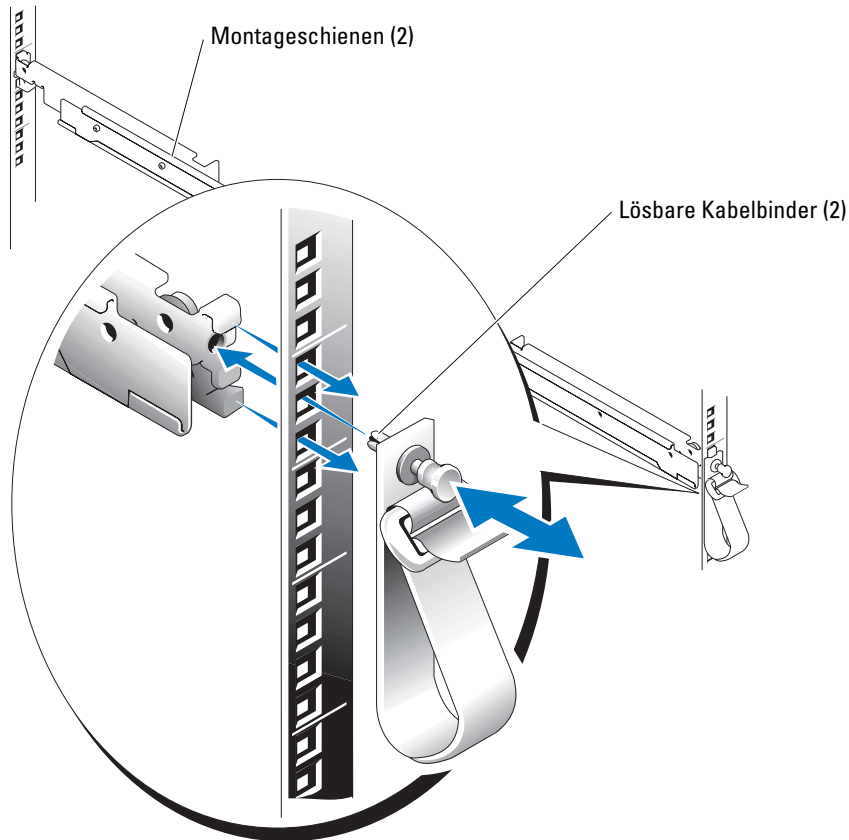
 **ANMERKUNG:** Abbildung 1-8 gilt für die RapidRails-, VersaRails- und Zweistützen-Rack-Kits.

Befestigen der lösbaren Kabelbinder

Mit den zwei lösbaren Kabelbindern werden die Systemkabel an den Montageschienen gesichert.

- 1 Suchen Sie die Befestigungspunkte für die lösbaren Kabelbinder auf den zwei hinteren Montagehalterungsflanschen (siehe Abbildung 1-9).

Abbildung 1-9. Befestigen der lösbaren Kabelbinder



- 2 Schieben Sie das Verbindungsstück des Kabelbinders durch den Befestigungspunkt.
- 3 Drücken Sie den Kabelbinder bis zum Einrasten in die Montageschiene.
- 4 Sichern Sie die Systemkabel mit den lösbaren Kabelbindern an den Montageschienen.

Entfernen des Systems aus dem Rack

Gehen Sie wie folgt vor, um das System aus dem Rack zu entfernen:



ANMERKUNG: Um das System im Rack zu installieren oder daraus zu entfernen, brauchen Sie die optionale Frontblende nicht zu entfernen.

- 1 Schalten Sie das System sowie die angeschlossenen Peripheriegeräte aus, und unterbrechen Sie die Stromzufuhr.
- 2 Lösen Sie beiden Rändelschrauben auf der Gehäusevorderseite.
- 3 Lokalisieren Sie auf beiden Seiten des Systems die hinteren Verriegelungen.
- 4 Ziehen Sie das System bis zum Anschlag aus dem Rack, und drücken Sie dann die beiden Freigabehebel nach unten, um die seitlichen Schienen zu entriegeln (siehe Abbildung 1-8).
- 5 Ziehen Sie das System vollständig aus dem Rack.

Wiederanbringen der Rack-Türen

Siehe Vorgehensweise zum Austauschen der Türen in der Dokumentation Ihres Racks.



VORSICHT: Wegen der Größe und des Gewichts der Rack-Türen sollten Sie keinesfalls versuchen, sie alleine abzunehmen oder einzubauen.

Damit ist die Rack-Montage Ihres Systems in einem Gestellschrank mit vier Stützen abgeschlossen.

Montage in einem Zwei-Stützen-Rack

Das Zwei-Stützen-Rack-Kit wird für die Montage eines Systems in einem offenen Relaisgestell mit zwei Stützen verwendet, wie man es zum Beispiel bei Telekommunikationsanlagen findet. Es können sowohl 3 Zoll (7,6 cm) als auch 6 Zoll (15,2 cm) breite Racks mit zwei Stützen und universellem Lochabstand oder weitem Lochabstand installiert werden. Sie können dieses Kit entweder für die Mittenmontage oder für die bündige Montage verwenden.

Sie müssen das offene Zwei-Stützen-Relaisgestell ordnungsgemäß auf dem Boden, an der Decke oder oben an der Wand befestigen und gegebenenfalls mit benachbarten Gestellschränken verbinden. Verwenden Sie hierzu Boden- und Wandbefestigungen sowie Stützen, die vom Rack-Hersteller spezifiziert oder zugelassen sind bzw. dem Industriestandard entsprechen. Lesen Sie zuerst die Warnungen in der Dokumentation des Zwei-Stützen-Racks, bevor Sie mit dem Einbau beginnen.



VORSICHT: Montieren Sie niemals Systeme in einem offenen Zwei-Stützen-Relaisgestell, das nicht sicher verankert ist. Andernfalls kann das System beschädigt oder Sie bzw. andere Personen verletzt werden.

Zusätzliche Sicherheitshinweise zur Rack-Montage finden Sie unter „Sicherheitshinweise“.

Empfohlene Werkzeuge und Zubehör

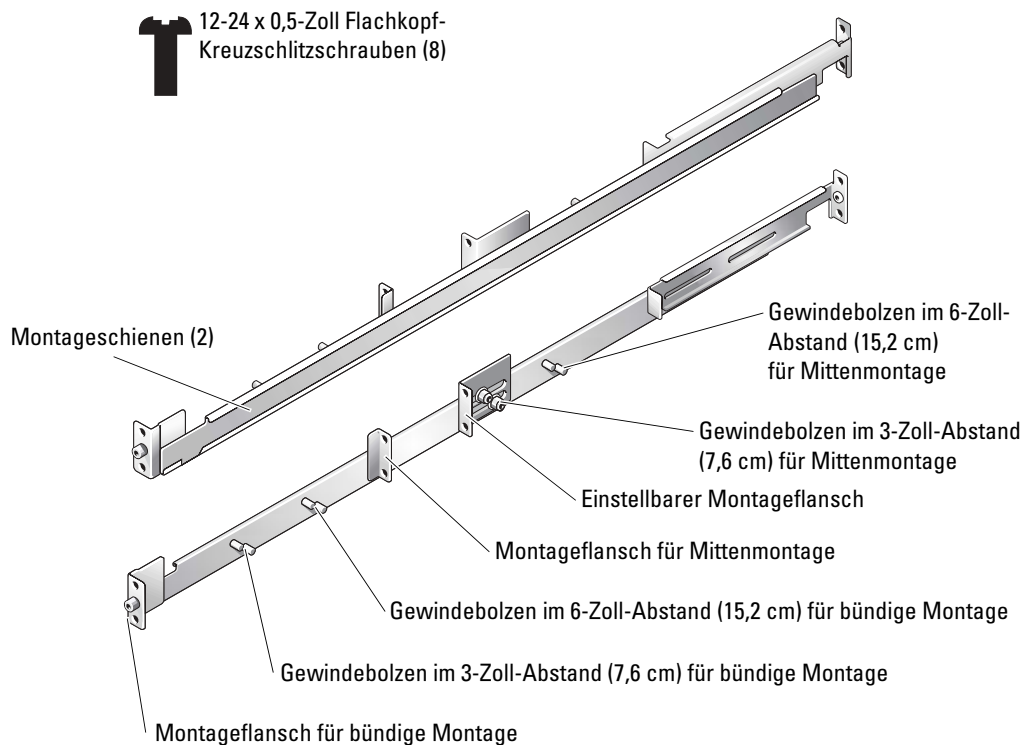
- Kreuzschlitzschraubendreher der Größe 2
- 3/8-Zoll Schraubenschlüssel oder Steckschlüssel (bei Wechsel der Halterung für bündige Montage)
- Kreppband oder Filzstift zur Markierung der korrekten Montagelöcher

Inhalt des Rack-Kits

Das Zwei-Stützen-Rack-Kit enthält folgende Komponenten (siehe Abbildung 1-10):

- Ein Paar Montageschienen
- 12-24 x 0,5-Zoll Flachkopf-Kreuzschlitzschrauben (8)
- Lösbare Kabelbinder (2) (nicht dargestellt in Abbildung 1-10)

Abbildung 1-10. Komponenten des Zwei-Stützen-Rack-Kits



Ablauf der Installation

Bei der Montage eines Zwei-Stützen-Rack-Kits sind die folgenden Arbeitsschritte in der angegebenen Reihenfolge auszuführen:

- 1 Markieren des Racks
 - Rack mit universellem Lochabstand
 - Rack mit weitem Lochabstand
- 2 Einbau der Montageschienen im Rack
 - Befestigung in Mittenmontage
 - Befestigung in bündiger Montage
- 3 System im Rack installieren
- 4 Kabel verlegen

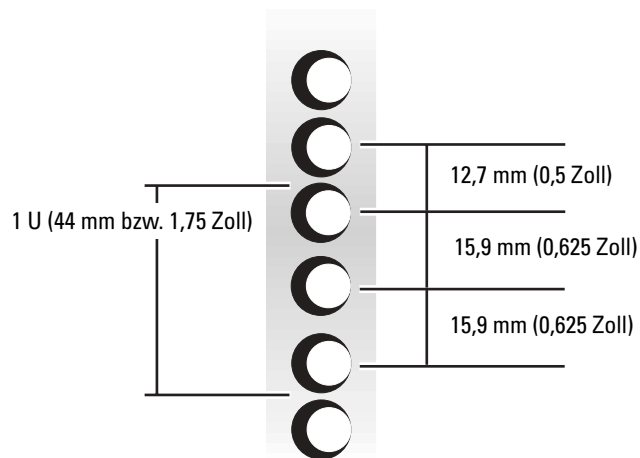
Markieren des Racks

Für jedes System, das Sie im Rack mit zwei Stützen installieren, benötigen Sie 1 Einheit (1 U = 44 mm bzw. 1,75 Zoll) vertikalen Abstand.

Racks mit universellem Lochabstand

Racks mit universellem Lochabstand haben ein sich wiederholendes Muster aus drei Löchern pro Rack-Einheit, deren Mittenabstand (beginnend in der Mitte des oberen Lochs einer 1-U-Einheit) 15,9 mm, 15,9 mm und 12,7 mm (0,625 Zoll, 0,625 Zoll und 0,5 Zoll) für die vordere und hintere vertikale Lochreihe beträgt (siehe Abbildung 1-11).

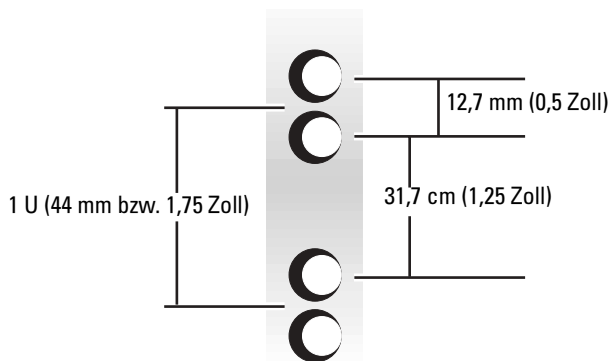
Abbildung 1-11. Universeller Lochabstand beim offenen Zwei-Stützen-Relaisgestell



Racks mit weitem Lochabstand

Racks mit weitem Lochabstand haben ein sich wiederholendes Muster aus zwei Löchern pro Rack-Einheit, deren Mittenabstand (beginnend mit dem oberen Loch einer 1-U-Einheit) 31,7 mm und 12,7 mm (1,25 bzw. 0,5 Zoll) für die vordere und hintere vertikale Lochreihe beträgt (siehe Abbildung 1-12).

Abbildung 1-12. Weiter Lochabstand beim offenen Zwei-Stützen-Relaisgestell



Gehen Sie zum Markieren des Racks wie folgt vor:

- 1 Bringen Sie auf den vorderen vertikalen Schienen des Racks eine Markierung an der Stelle an, an der sich die Unterseite des Systems befinden soll, das Sie in das Zwei-Stützen-Rack einbauen.

Die Unterkante jeder 1-U-Einheit befindet sich in der Mitte des schmalsten Metallstücks zwischen den Löchern.

ANMERKUNG: Wenn Ihr Rack einen weiten Lochabstand hat, gehen Sie zu Schritt 3.

- 2 Setzen Sie eine Markierung 44 mm (1,75 Zoll) über Ihre ursprüngliche Markierung (oder zählen Sie in einem Rack mit universellem Lochabstand drei Löcher nach oben, siehe Abbildung 1-11).

Jede vertikale 1-U-Einheit (44 mm oder 1,75 Zoll) in einem Rack mit universellem Lochabstand verfügt über drei Löcher, deren Mittenabstand zueinander (beginnend mit dem oberen Loch einer 1-U-Einheit) 15,9 mm, 15,9 mm und 12,7 mm (0,625 Zoll, 0,625 Zoll und 0,5 Zoll) beträgt (siehe Abbildung 1-11).

ANMERKUNG: Wenn das Rack einen universellen Lochabstand hat, ist das Markieren des Racks damit abgeschlossen.

- 3 Setzen Sie eine Markierung 44 mm (1,75 Zoll) über Ihre ursprüngliche Markierung (oder zählen Sie in einem Rack mit weitem Lochabstand bis zum nächsten Loch nach oben, siehe Abbildung 1-12).

Jede vertikale 1-U-Einheit (44 mm oder 1,75 Zoll) in einem Rack mit universellem Lochabstand hat zwei Löcher, deren Mittenabstand zueinander (beginnend mit dem oberen Loch einer 1-U-Einheit) 31,7 mm (1,25 Zoll) beträgt (siehe Abbildung 1-12).

Einbau der Montageschienen

Sie können die Montageschienen in einem offenen Zwei-Stützen-Rack mit entweder universellem Lochabstand (siehe Abbildung 1-11) oder weitem Lochabstand (siehe Abbildung 1-12) einbauen. Sie können die Montageschienen entweder mit bündiger Montage oder mit Mittenmontage einbauen.



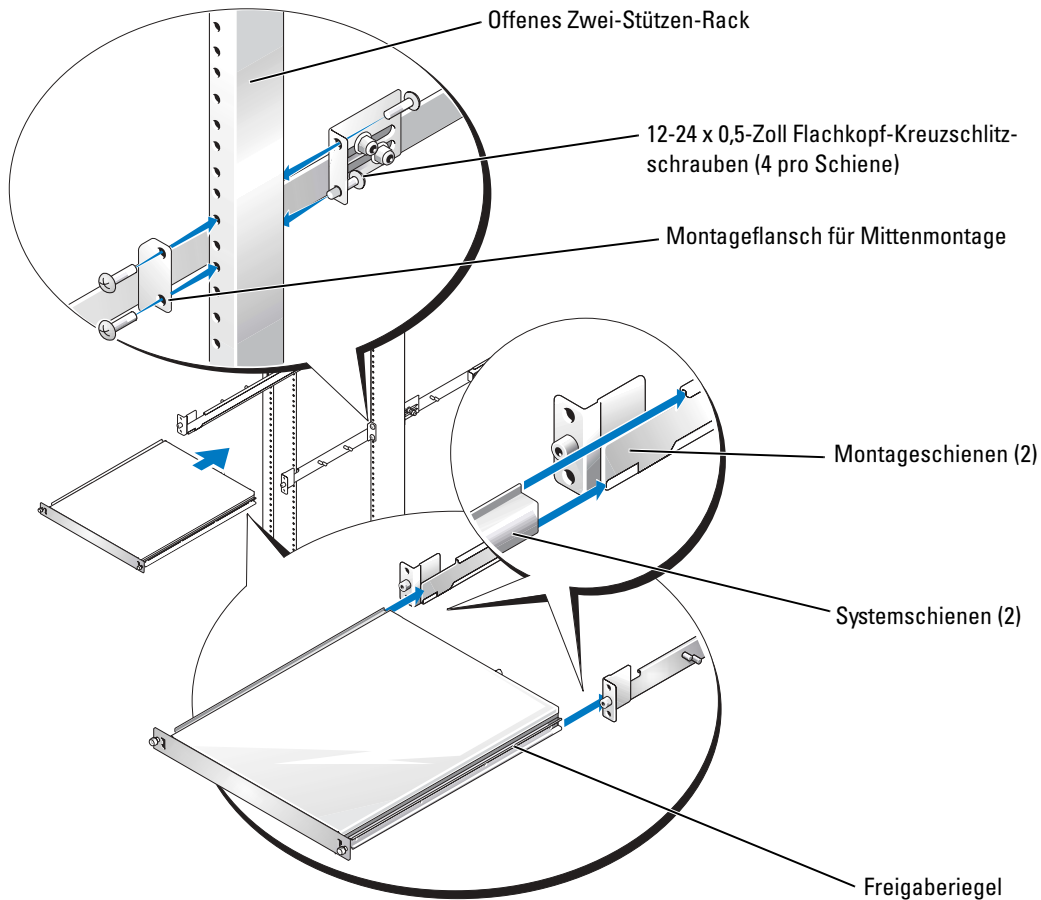
VORSICHT: Installieren Sie mit diesem Rack-Kit keine anderen Systeme. Verwenden Sie ausschließlich das für Ihr System konzipierte Rack-Kit. Wenn Sie das Rack-Kit für ein anderes System verwenden, könnte das System beschädigt und Sie selbst oder andere Personen verletzt werden.

Mittenmontage

Im Lieferumfang des Zwei-Stützen-Rack-Kits sind Haltungen für Mittenmontage mit 3 Zoll Breite (7,6 cm) enthalten. Zum Anbringen der Schienenkomponenten siehe Abbildung 1-10. Um die Montage abzuschließen, führen Sie folgende Schritte aus:

- 1 Schieben Sie auf der rechten Montageschiene die einstellbare Montagehalterung nach hinten (siehe Abbildung 1-13).
- 2 Setzen Sie die rechte Montageschiene an der markierten Stelle in das Rack mit zwei Stützen ein, schieben Sie die einstellbare Halterung für Mittenmontage nach vorne gegen das vertikale Zwei-Stützen-Rack, und sichern Sie den Montageflansch und die einstellbare Montagehalterung am Rack mit zwei 12-24 x 0,5-Zoll Flachkopf-Kreuzschlitzschrauben (siehe Abbildung 1-13).
- 3 Wiederholen Sie Schritt 1 und Schritt 2 für den Einbau der linken Montageschiene im Rack.

Abbildung 1-13. Einbau der Montageschienen bei Mittenmontage



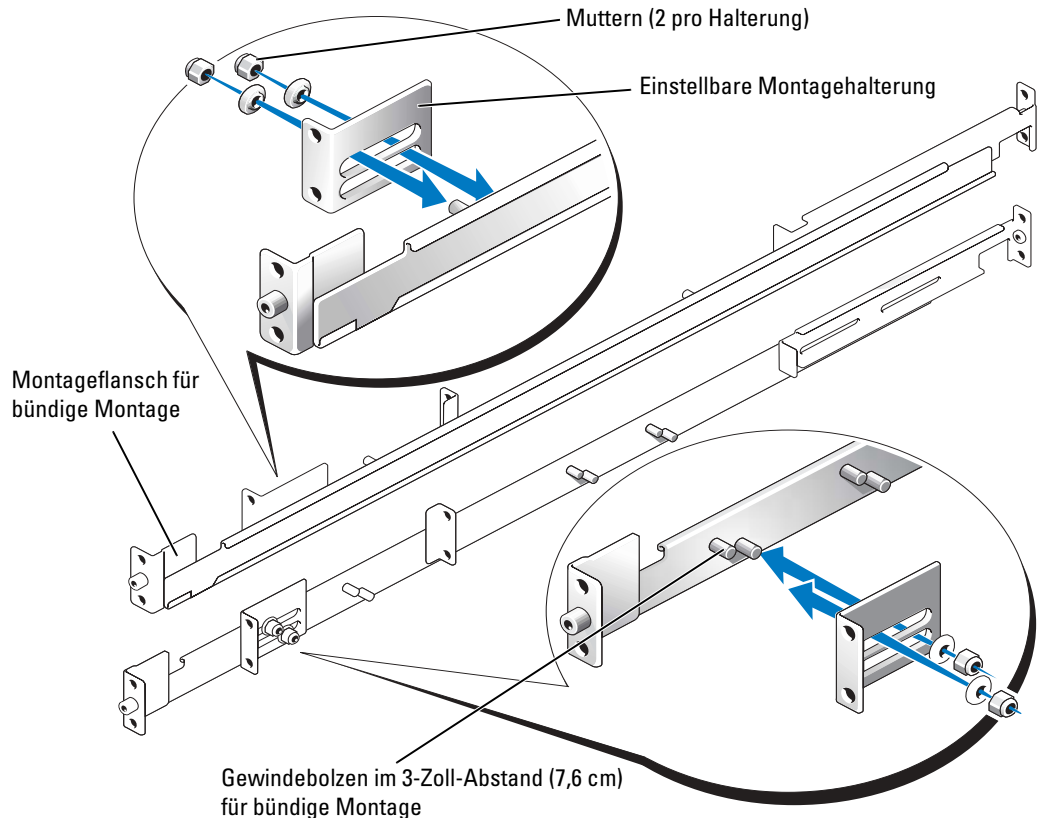
Befestigung in bündiger Montage

Im Lieferumfang des Zwei-Stützen-Rack-Kits sind Halterungen für Mittenmontage mit 3 Zoll Breite (7,6 cm) enthalten. Zum Anbringen der Schienenkomponenten siehe Abbildung 1-10. Gehen Sie zum Vorbereiten der Montageschienen für die bündige Montage im Zwei-Stützen-Rack wie folgt vor:

- 1** Legen Sie die beiden Montageschienen nebeneinander auf eine glatte Arbeitsoberfläche, wobei die vorderen Enden der Montageschienen in Ihre Richtung weisen (siehe Abbildung 1-14).
- 2** Entfernen Sie mit einem 3/8-Zoll-Schlüssel oder -Steckschlüssel zwei Muttern aus der einstellbaren Montagehalterung (siehe Abbildung 1-14).
- 3** Nehmen Sie die Halterung ab, und setzen Sie die Halterung dann auf die Gewindebolzen für bündige Montage mit 3 Zoll (7,6 cm) oder 6 Zoll (15,2 cm) Abstand (siehe Abbildung 1-14).

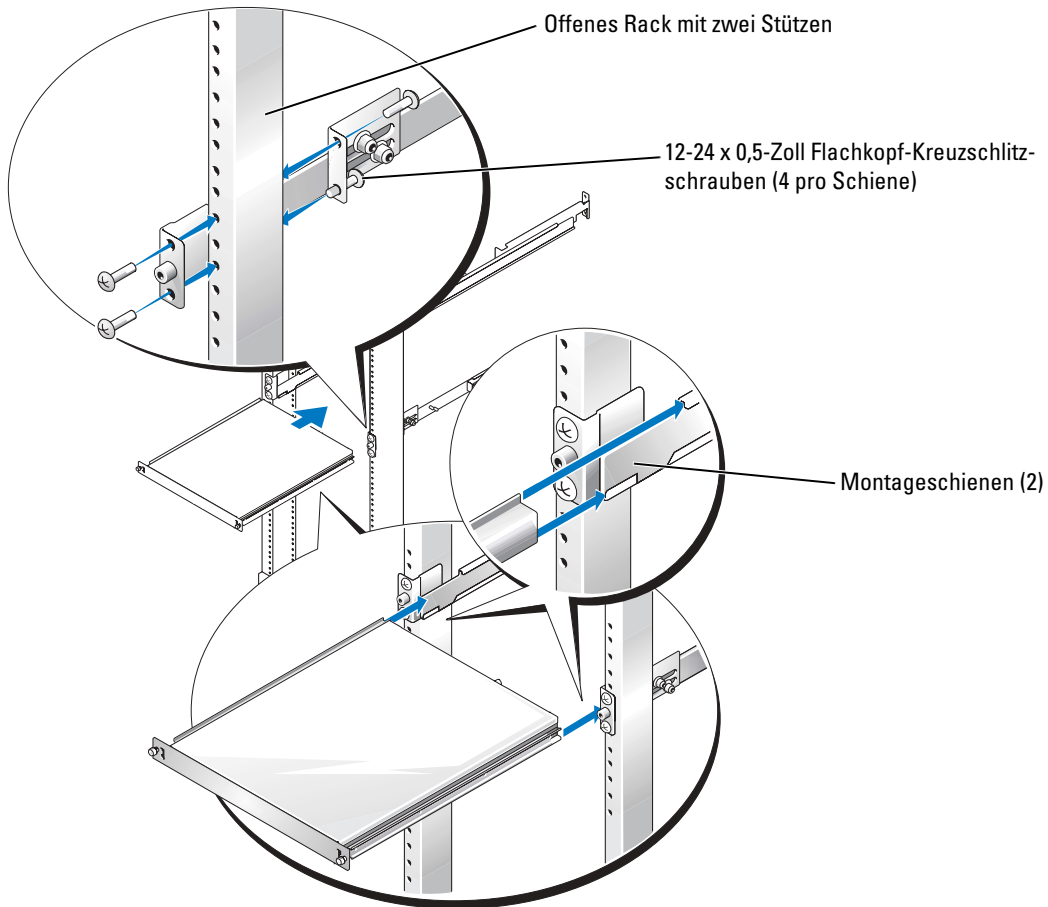
- 4 Verwenden Sie die in Schritt 2 entfernten zwei Muttern, um die einstellbare Montagehalterung zu sichern; ziehen Sie die Muttern zunächst fingerfest an (siehe Abbildung 1-14).
- 5 Wiederholen Sie Schritt 2 bis Schritt 4 zur Vorbereitung der anderen Montageschiene.

Abbildung 1-14. Vorbereiten der einstellbaren Montagehalterung für bündige Montage



- 6 Halten Sie die linke Montageschiene an die markierte Stelle, positionieren Sie den Montageflansch für bündige Montage gegen die Vorderseite des vertikalen Zwei-Stützen-Racks, und sichern Sie ihn mit zwei 12-24 x 0,5-Zoll Flachkopf-Kreuzschlitzschrauben an der Schiene mit zwei Stützen (siehe Abbildung 1-15).
- 7 Verschieben Sie die einstellbare Montagehalterung so, dass sie an der Rückseite des Racks mit zwei Stützen anliegt, und sichern Sie sie in der Zweistützen-Schiene mit 12-24 x 0,5-Zoll Flachkopf-Kreuzschlitzschrauben (siehe Abbildung 1-15).
- 8 Wiederholen Sie Schritt 6 und Schritt 7 für den Einbau der rechten Montageschiene im Rack.
- 9 Ziehen Sie mit einem 3/8-Zoll-Schlüssel oder -Steckschlüssel die Muttern an den einstellbaren Montagehalterungen auf beiden Montageschienen fest.

Abbildung 1-15. Einbau der Montageschienen mit bündiger Montage



System im Rack installieren

Anweisungen erhalten Sie unter „Montieren des Systems im Rack“ im Abschnitt „Montage in einem Rack mit vier Stützen“.

Befestigen der lösbaren Kabelbinder

Anweisungen erhalten Sie unter „Befestigen der lösbaren Kabelbinder“ im Abschnitt „Montage in einem Rack mit vier Stützen“.

Damit ist die Installation eines Rack-Kits in einem Rack mit zwei Stützen abgeschlossen.

Index

A

Austauschen
der Rack-Türen, 74

I

Inhaltsliste
RapidRails-Kit, 64
VersaRails-Kit, 64
Zwei-Stützen-Rack-Kit, 75

Installation
Feste Schienenmodule, 70
Kabelbinder für Rack
mit vier Stützen, 73
Kabelbinder für Rack
mit zwei Stützen, 81
Montageschienen
beim Zwei-Stützen-
Rack, 78-79
Rack-Kit für vier Stützen, 69
RapidRails-Montage-
schienen, 69
System im Rack
mit vier Stützen, 71
System im Zwei-Stützen-
Rack, 81
VersaRails-Montage-
schienen, 70-71
Zwei-Stützen-Rack-Kit, 74

K

Kabelbinder
Installation, 81
Kit-Inhalt
RapidRails, 64
VersaRails, 64-65, 73
Zwei-Stützen-Rack, 75

Konfiguration mit
bündiger Montage, 79
Konfiguration mit
Mittenmontage, 78

M

Markieren des Racks
Rack-Kit für vier Stützen, 66
Zwei-Stützen-Rack-Kit, 76-77

R

Rack mit vier Stützen
System entfernen, 74
Rack-Anforderungen
für VersaRails, 63
Rack-Einheit, 66
Rack-Kit für vier Stützen
Inhalt des VersaRails-Kits, 64
RapidRails-Kit, Inhalt, 64
Werkzeuge und Zubehör, 63

Rack-Stabilisatoren, 63
RapidRails
Kit-Inhalt, 64

S

Sicherheitshinweise, 61
Stabilisatoren, 63
System entfernen
Rack mit vier Stützen, 74

T

Türen
abnehmen, 66
ersetzen, 74

V

VersaRails
Installation, 70-71
Kit-Inhalt, 64-65, 73
Vertikale Schienen
Eine Rack-Einheit, 66
markieren, 66
Vorsichtsmaßnahmen
bei der Rack-Montage, 62

W

Werkzeuge und Zubehör

Rack-Kit für vier Stützen, 63

Zwei-Stützen-Rack-Kit, 75

Z

Zwei-Stützen-Rack-Kit

Kit-Inhalt, 75

Markieren des Racks, 76

Montageschienen




installieren, 78

Systeminstallation, 81

Werkzeuge und Zubehör, 75

ラック取り付けガイド

メモ、注意、警告

-  **メモ**：コンピュータを使いやすくするための重要な情報を説明しています。
-  **注意**：ハードウェアの損傷やデータの損失の可能性を示し、その危険を回避するための方法を説明しています。
-  **警告**：物的損害、けが、または死亡の原因となる可能性があることを示します。

ここに記載されている内容は予告なく変更されることがあります。

© 2005 すべての著作権は Dell Inc. にあります。

Dell Inc. の書面による許可のない複製は、いかなる形態においても厳重に禁じられています。

このマニュアルに使用されている商標：Dell、DELL ロゴ、RapidRails および VersaRails は Dell Inc. の商標です。

本書では、必要に応じて上記記載以外の商標や会社名が使用されている場合がありますが、これらの商標や会社名は、一切 Dell Inc. に所属するものではありません。

目次

| | |
|---|------------|
| 安全にお使いいただくために | 89 |
| 安全について：ラックへのシステムの取り付け | 89 |
| 取り付け手順 | 90 |
| 作業を開始する前に | 90 |
| 安全に関する重要な注意 | 90 |
| VersaRails のラック要件 | 91 |
| 4 柱型ラックの取り付け | 91 |
| ラックスタビライザ | 91 |
| 推奨する工具および備品 | 91 |
| RapidRails ラックキットの内容 | 92 |
| VersaRails ラックキットの内容 | 92 |
| 取り付け手順 | 93 |
| ラック扉の取り外し | 94 |
| ラックへの印付け | 94 |
| ラックへのマウントレールの取り付け | 96 |
| シャーシの Static Rail モジュールの取り付けと取り外し | 98 |
| ラックへのシステムの取り付け | 99 |
| 取り外し可能タイラップの取り付け | 101 |
| ラックからのシステムの取り外し | 102 |
| ラック扉の取り付け | 102 |
| 2 柱型ラックへの取り付け | 102 |
| 推奨する工具および備品 | 103 |
| ラックキットの内容 | 103 |
| 取り付け手順 | 104 |
| ラックへの印付け | 104 |
| マウントレールの取り付け | 106 |
| ラックへのシステムの取り付け | 109 |
| 取り外し可能タイラップの取り付け | 109 |
| 索引 | 111 |



| | | |
|--------|--|-----|
| 図 1-1 | RapidRails ラックキットの内容 | 92 |
| 図 1-2 | VersaRails ラックキットの内容 | 93 |
| 図 1-3 | 1 ラックユニット (1 U) | 94 |
| 図 1-4 | 垂直レールの印付け | 95 |
| 図 1-5 | RapidRails マウントレールの取り付け | 97 |
| 図 1-6 | VersaRails マウントレールの取り付け | 98 |
| 図 1-7 | Static Rail モジュールの取り付けと取り外し | 99 |
| 図 1-8 | ラックへのシステムの取り付け | 100 |
| 図 1-9 | 取り外し可能タイラップの取り付け | 101 |
| 図 1-10 | 2 柱型ラックキットの部品 | 103 |
| 図 1-11 | 2 柱型オープンフレームリレーラック のユニバーサル間隔の穴 | 104 |
| 図 1-12 | 2 柱型オープンフレームリレーラック のワイド間隔の穴 | 105 |
| 図 1-13 | センターマウント構成でのマウントレール の取り付け | 107 |
| 図 1-14 | フラッシュマウント構成での調整可能な取 り付けブラケットの準備 | 108 |
| 図 1-15 | フラッシュマウント構成でのマウントレール の取り付け | 109 |


安全にお使いいただくために


ご自身の身体の安全を守り、システムおよび作業環境を保護するために、以下の安全に関するガイドラインに従ってください。安全に関する詳細な情報については、『製品情報ガイド』を参照してください。


安全について：ラックへのシステムの取り付け

ラックの安定性や安全性に関して、以下の点にご注意ください。

システムはラックの一部とみなします。したがって、「コンポーネント」には、さまざまな周辺機器やサポートハードウェアと同様に、システムも含まれます。

 **警告：**単体ラックでは正面と側面のスタビライザ、連結ラックでは正面のスタビライザを取り付けてからラックにシステムを取り付けてください。スタビライザを正しく取り付けずにシステムをラックに取り付けると、ラックが転倒し、けがをするおそれがあります。必ずスタビライザを取り付けてから、ラックにコンポーネントを取り付けてください。

 **警告：**ラックへのコンポーネント取り付け後は、一度に2台以上のコンポーネントをスライドアセンブリから引き出さないでください。複数のコンポーネントを同時に引き出すと、重みでラックが転倒し、けがをするおそれがあります。

 **メモ：**ご使用のシステムは、独立したユニットとして、また、ラックキャビネットとラックキットがそのシステム用に設計されたものである場合は、カスタマーラックキットを使ってラックキャビネットに設置して使用するためのコンポーネントとして、安全性が保証されています。それ以外のラックキャビネットにシステムおよびラックキットを取り付ける場合は、安全性が保証されません。他のメーカーのキャビネットで、システムやラックキットを組み合わせて使用する場合は、お客様が責任を持って安全性認定機関の適合性評価を受けてください。弊社では、このような組み合わせは保証しておらず、いかなる責任も負いません。

- システムラックキットは、トレーニングを受けたサービス技術者が、規格に適合するラックに取り付けます。キットをこれ以外のラックに取り付ける場合は、そのラックが仕様に適合していることを確認してください。
- ラックを移動する前に、スタビライザがラックに固定されて、ラックの全重量が床面にかかっていることを確認してください。ラックで作業をする前に、ラックが1つの場合は正面と側面のスタビライザ、複数のラックを連結する場合は正面のスタビライザを取り付けます。
- ラックには必ず下から上へと、最も重いものから順に設置してください。
- コンポーネントをラックから引き出す前に、ラックが水平で安定していることを確認してください。
- ラックに電力を供給する AC 分岐回路に過重電流を流さないでください。ラックの総負荷が分岐回路定格の 80% を超えないようにしてください。
- ラック内のコンポーネントが十分に通気されることを確認してください。
- ラック内の他のシステムやコンポーネントを取り扱う際に、取り付けられたシステムやコンポーネントの上に乗ったり、足を掛けたりしないでください。

取り付け手順


本書は、トレーニングを受けたサービス技術者が、オープンフレームリレーラックやラックキャビネットに1台または複数のシステムを取り付ける作業を行う場合の手順書です。RapidRails™ ラックキットは、工具を使わずにすべてのシステムメーカーのラックキャビネットに取り付けることができます。VersaRails™ ラックキットは、業界規格に適合しているほとんどのラックキャビネットに取り付けることができます。RapidRails ラックキットと VersaRails ラックキットの取り付け手順はほとんど同じです。ラックキットは、ラックキャビネットに取り付けるシステム1台ごとに1セットずつ必要です。


本書では、以下のラックキットを取り付ける手順について説明しています。


- RapidRails キット（4 柱型ラックキャビネットへの取り付け）
- VersaRails キット（4 柱型ラックキャビネットへの取り付け）
- 2 柱型キットの取り付け（センターマウントまたはフラッシュマウントのどちらの構成でも取り付け可能）

作業を開始する前に

ラックへのシステムの取り付けを開始する前に、本書の「安全にお使いいただくために」およびご使用のシステムの『製品情報ガイド』の安全に関する注意事項を参照し、補足情報を確認してください。


 **警告：**複数のシステムをラックに取り付ける場合は、1台のシステムの取り付け手順を完了してから、次のシステムの取り付けに進んでください。


 **警告：**ラックキャビネットはサイズが非常に大きく重量もありますが、キャスターで簡単に移動できるようになっています。このキャスターにはブレーキがないため、ラックキャビネットを移動するときは十分な注意が必要です。ラックキャビネットを別の場所に移動するときは、水平調節用の脚を収納してください。長い傾斜面、急勾配のある場所、スロープなど、バランスが取りにくい場所にはキャビネットを設置しないでください。水平調節用の脚を伸ばしてキャビネットを支え、キャビネットが動かないようにしてください。

 **メモ：**システム自体の設置方法については、「ラックへのシステムの取り付け」を参照してください。


安全に関する重要な注意

システムをラックに取り付けるときは、次の各項の安全に関する注意を遵守してください。

 **警告：**作業者は、自分自身と周囲の人々を保護するために、本書の手順に必ず従ってください。本システムは非常に重量があり大きいので、ご自身や周囲の人々のけがを防ぐために準備と計画を適切に行うことが重要です。これは、特にシステムをラックの高い位置に取り付ける場合に重要になります。

 **警告：**別のシステム用に設計されたラックキットのコンポーネントは取り付けないでください。ご使用のシステム用のラックキットのみをお使いください。別のシステム用のラックキットを使用すると、システムが損傷し、ご自身や周囲の人々がけがをするおそれがあります。


VersaRails のラック要件

-  **注意：** VersaRails ラックキットは、米国規格協会 (ANSI) / 米国電子工業会 (EIA) 規格 ANSI/EIA-310-D92、国際電気標準会議 (IEC) 297、ドイツ工業規格 (DIN) 41494 の仕様を満たすラックについてトレーニングを受けたサービス技術者が取り付けられるように設計されています。ラックキットは、ラックに取り付けるシステム 1 台につき 1 セット必要です。

4 柱型ラックの取り付け

取り付けを開始する前に、すべての手順を注意してお読みください。

ラックスタビライザ

-  **警告：** 単体ラックでは正面と側面のスタビライザ、連結ラックでは正面のスタビライザを取り付けてからラックにシステムを取り付けてください。スタビライザを正しく取り付けずにシステムをラックに取り付けると、ラックが転倒し、けがをするおそれがあります。必ずスタビライザを取り付けてから、ラックにコンポーネントを取り付けてください。

スタビライザはラックの転倒を防ぎます。スタビライザを取り付けて床に固定する手順については、ラックキャビネットに付属のマニュアルを参照してください。

推奨する工具および備品

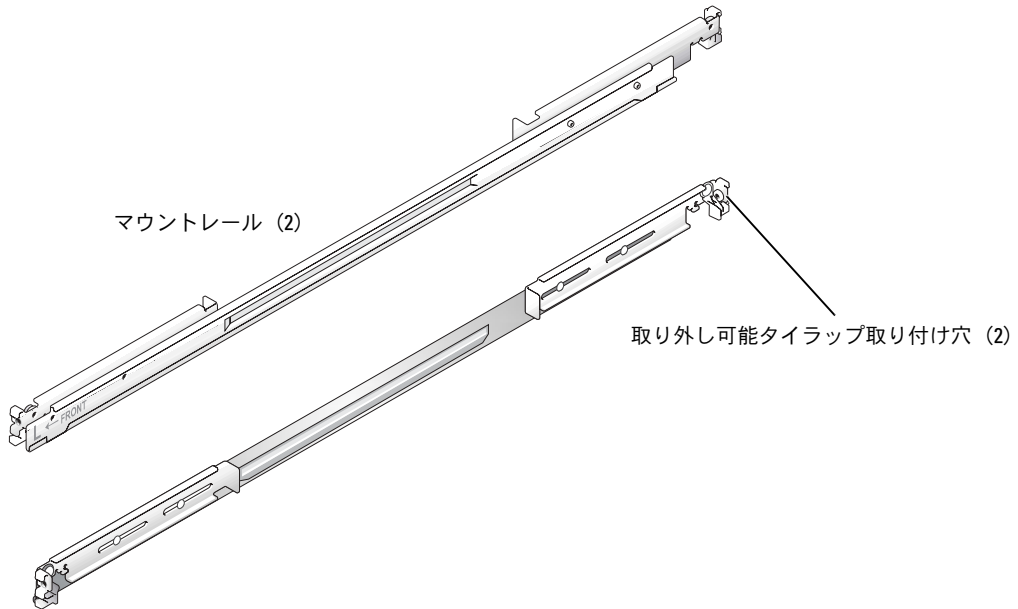
システムを 4 柱型ラックキャビネットに取り付ける際、以下の工具および備品が必要な場合があります。

- #2 プラスドライバ
- マスキングテープまたはフェルトペン（取り付け穴に印を付けるときに使用）

RapidRails ラックキットの内容

- RapidRails マウントレール 1 組
- 取り外し可能タイラップ (2) (図 1-1 には記載なし)

図 1-1 RapidRails ラックキットの内容



VersaRails ラックキットの内容

- VersaRails マウントレール 1 組
- 10-32 x 0.5 インチフランジヘッドプラスネジ (8)
- 取り外し可能タイラップ (2) (図 1-2 には記載なし)


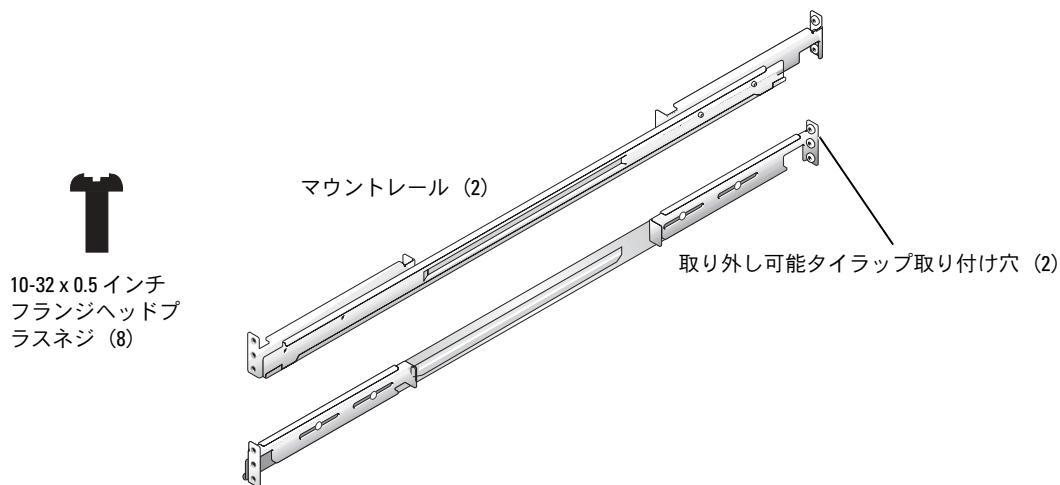
 **メモ：**図と手順の説明に示すメートル法規格以外のネジは、サイズとインチ当たりのネジ山数で表記されています。たとえば1インチに32本のネジ山がある#10プラスネジは、10-32ネジと表記します。

図 1-2 VersaRails ラックキットの内容



取り付け手順

ラックキットを取り付けるには、次の手順（以降の各項で詳細を説明）を番号順に実行します。

- 1 ラック扉の取り外し
- 2 ラックへの印付け
- 3 ラックへのマウントレールの取り付け
 - RapidRails の取り付け
 - VersaRails の取り付け
 - Static Rail の取り付け
- 4 ラックへのシステムの取り付け
- 5 ケーブルの配線と取り外し可能タイラップによる固定
- 6 ラック扉の取り付け



メモ：手順 3 には 3 種類の手順が記されています。これらの手順は、RapidRails キット、VersaRails キット、および Static Rail キット用です。

ラック扉の取り外し

ラックキャビネットに付属のマニュアルに記載されている扉の取り外し手順を参照してください。

⚠ 警告：ラックキャビネットの扉の大きさと重さを考慮して、取り付けおよび取り外しは1人では行わないでください。

⚠ 警告：取り外した扉は、不意に倒れてけがをしないような場所に保管してください。

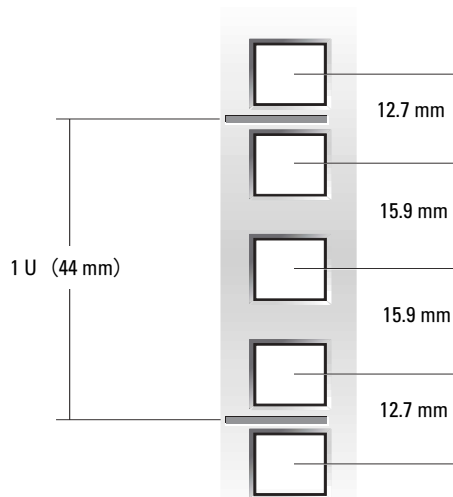
ラックへの印付け

1 ラックユニット (1 U) システムでは、ラックに取り付ける各システムの上下に、1 U (44 mm) の空間を空ける必要があります。

EIA-310 規格を満たすラックキャビネットには、1 ラックユニット (1 U) ごとに3つの穴が交互に並んでいます。穴の中心から中心までの距離は、前面および背面垂直レールの1 U スペースの一番上の穴から計測して 15.9 mm、15.9 mm、12.7 mm となっています (図 1-3 参照)。ラックキャビネットの穴には丸型と角型があります。

📌 メモ：垂直レールには、1 U 間隔の水平の線と数字で印が付いていることがあります。ラックの垂直レールについている印の番号を控える方法もあるので、ラックに印を付けたりテープを貼る作業は必須ではありません。

図 1-3 1 ラックユニット (1 U)



⚠ 警告：2台以上のシステムを取り付ける場合は、ラックの最下段に1台目のシステムを取り付けられるようにマウントレールをセットしてください。

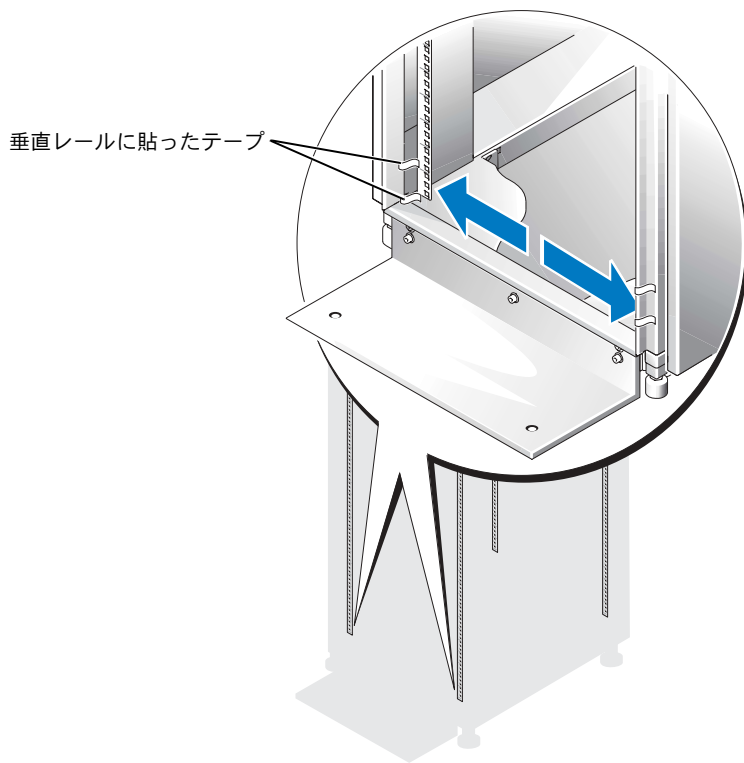
ラックに印を付けるには、次の手順を実行します。

- 1 ラック前面の垂直レール上で、ラックキャビネットに取り付けるシステムの底部の位置を決め、フェルトペンまたはテープを使って印を付けます。

底部にあたる各 1 U スペースの位置は、穴と穴の間隔が狭い方の金属部分の中央です（横線で印が付いているラックキャビネットもあります。図 1-4 を参照）。

- 2 最初に印を付けた場所から 44 mm 上（あるいは EIA-310 規格に適合したラックであれば、ラックの穴を上から 3 つ数えた場所）を決め、フェルトペンまたはマスキングテープを使ってラック前面の垂直レールに印を付けます（穴を数えた場合は一番上の穴の真上に印を付ける）。このマークまたはテープが、垂直レール上でシステムの上端が来る位置になります（図 1-4 を参照）。

図 1-4 垂直レールの印付け

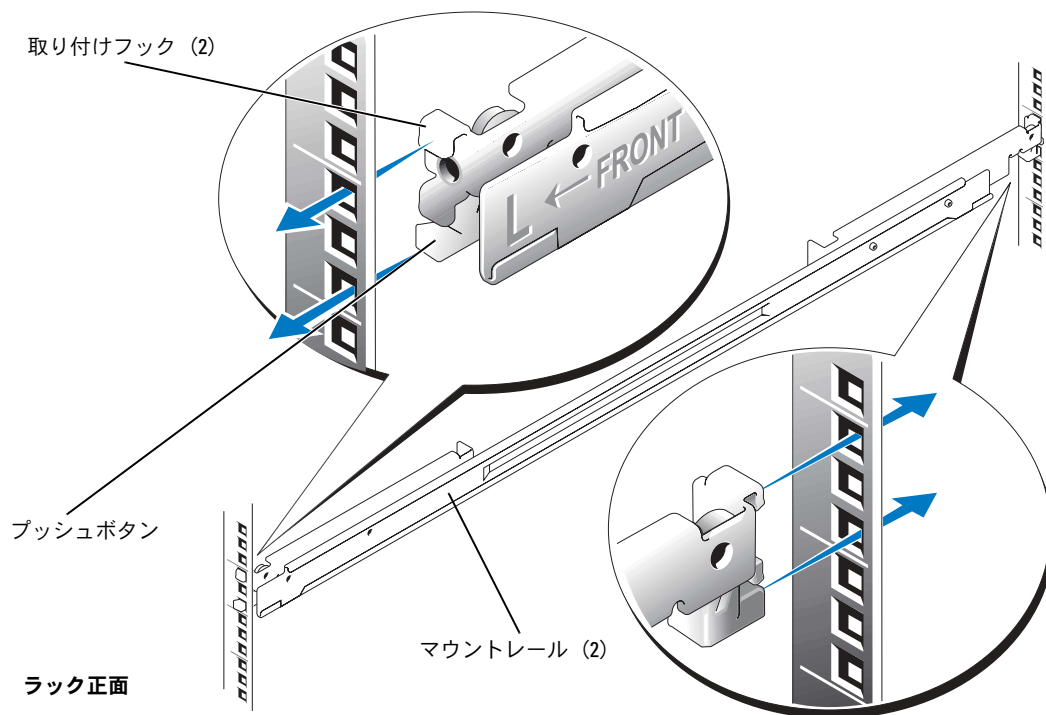


ラックへのマウントレールの取り付け

RapidRails マウントレールの取り付け

- 1 ラックキャビネットの前面で、取り付けブラケットのフランジが、垂直レールに付けた印やテープの間のスペースに収まるように（または穴の数を数えて）、1つ目の RapidRails マウントレールの位置を合わせます（図 1-5 を参照）。
マウントレールの前面取り付けブラケットフランジの上部取り付けフックを、垂直レールに付けた印の間にある一番上の穴に差し込みます。
- 2 マウントレールを正面に向かって押して、上部取り付けフックを垂直レールの対応する角型の穴に差し込み、取り付けブラケットのフランジを下に押して取り付けフックを穴に固定します。完全に固定されるとプッシュボタンがカチッと飛び出します（図 1-5 を参照）。
- 3 キャビネットの背面で、取り付けブラケットのフランジを後ろに引いて、上部取り付けフックを対応する角型の穴に差し込み、フランジを下に押して取り付けフックを穴に固定します。完全に固定されるとプッシュボタンがカチッと飛び出します。
- 4 ラックの反対側のマウントレールで、手順 1～手順 3 を繰り返します。
- 5 左右の垂直レールで、マウントレールが同じ高さに取り付けられていることを確認します。

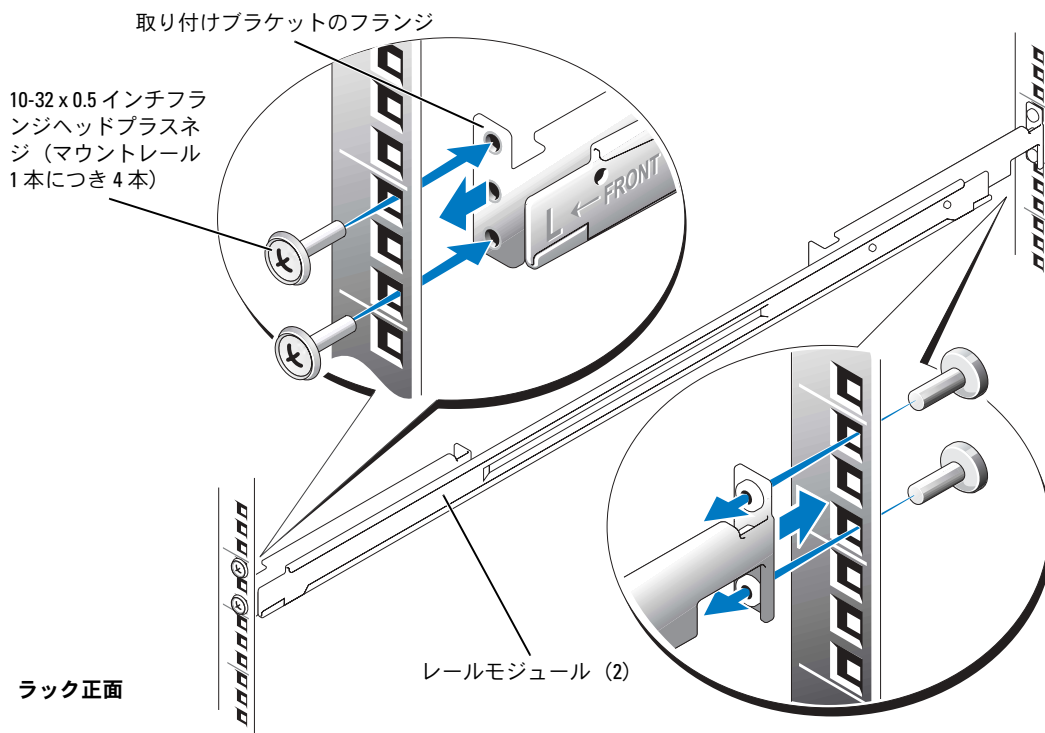
図 1-5 RapidRails マウントレールの取り付け



VersaRails マウントレールの取り付け

- 1 ラックキャビネットの前面で、取り付けブラケットのフランジが、垂直レールに付けた印の間のスペースに収まるように（または穴の数を数えて）、1つ目の VersaRails マウントレールの位置を合わせます（図 1-6 を参照）。
取り付けブラケットフランジの前面にある 3 個の穴を、前面垂直レールに付けた印の間の穴に合わせます。
- 2 2 本の 10-32 x 0.5 インチフランジヘッドプラスネジを取り付けブラケットフランジの上と下の穴に差し込んで、マウントレールを前面垂直レールに固定します。
- 3 キャビネットの背面から、取り付けブラケットのフランジを後ろに引いて、取り付け穴を背面垂直レールのそれぞれ対応する穴に合わせます。
- 4 2 本の 10-32 x 0.5 インチフランジヘッドプラスネジを背面取り付けブラケットフランジの上と下の穴に差し込んで、マウントレールを背面垂直レールに固定します。
- 5 ラックの反対側のマウントレールで、手順 1～手順 4 を繰り返します。
- 6 左右の垂直レールで、マウントレールが同じ高さに取り付けられていることを確認します。

図 1-6 VersaRails マウントレールの取り付け

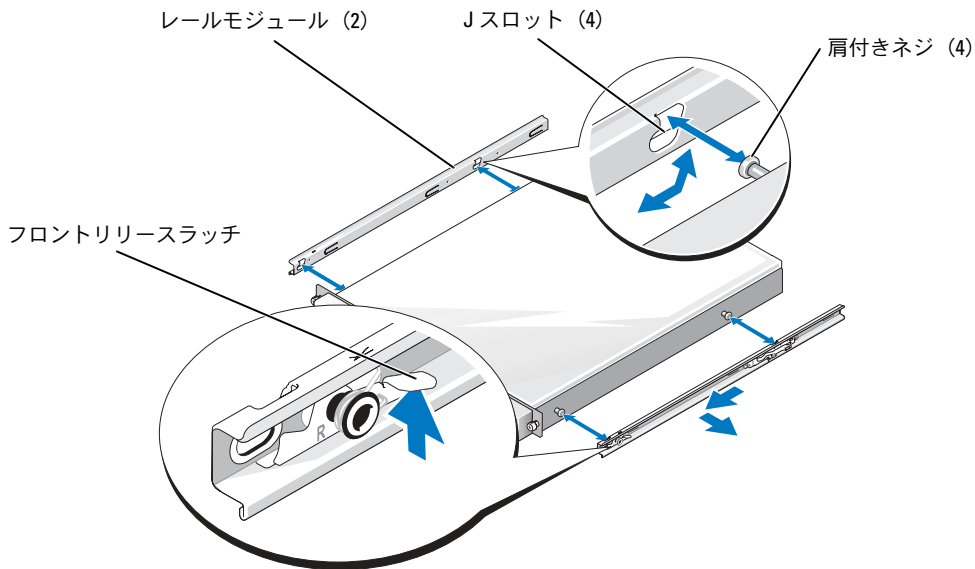


シャーシの Static Rail モジュールの取り付けと取り外し

メモ：シャーシに Static Rail モジュールを取り付けたり取り外したりするのに、オプションの前面ベゼルを取り外す必要はありません。

- 1 レールを取り付けるには、両方のレール上の J スロットを確認します。シャーシ両側の前方と中間あたりにある 2 本の対応する肩付きネジを確認します (図 1-7 を参照)。
- 2 レールをシャーシに取り付けるには、レールモジュールの 2 つの J スロットを肩付きネジに合わせます。各レールを 2 つの対応する肩付きネジのすぐ下に合わせます (図 1-7 を参照)。
- 3 レールを固定するには、各レールの前面に取り付けられたフロントラッチを引き上げます。各レールを引き上げ、後方に引き、シャーシの所定の位置にカチッとめ込みます。
- 4 レールをシャーシから取り外すには、フロントラッチを引き上げ、各レールのロックを解除します。
- 5 レールを J スロットから外し、シャーシから取り外します。

図 1-7 Static Rail モジュールの取り付けと取り外し



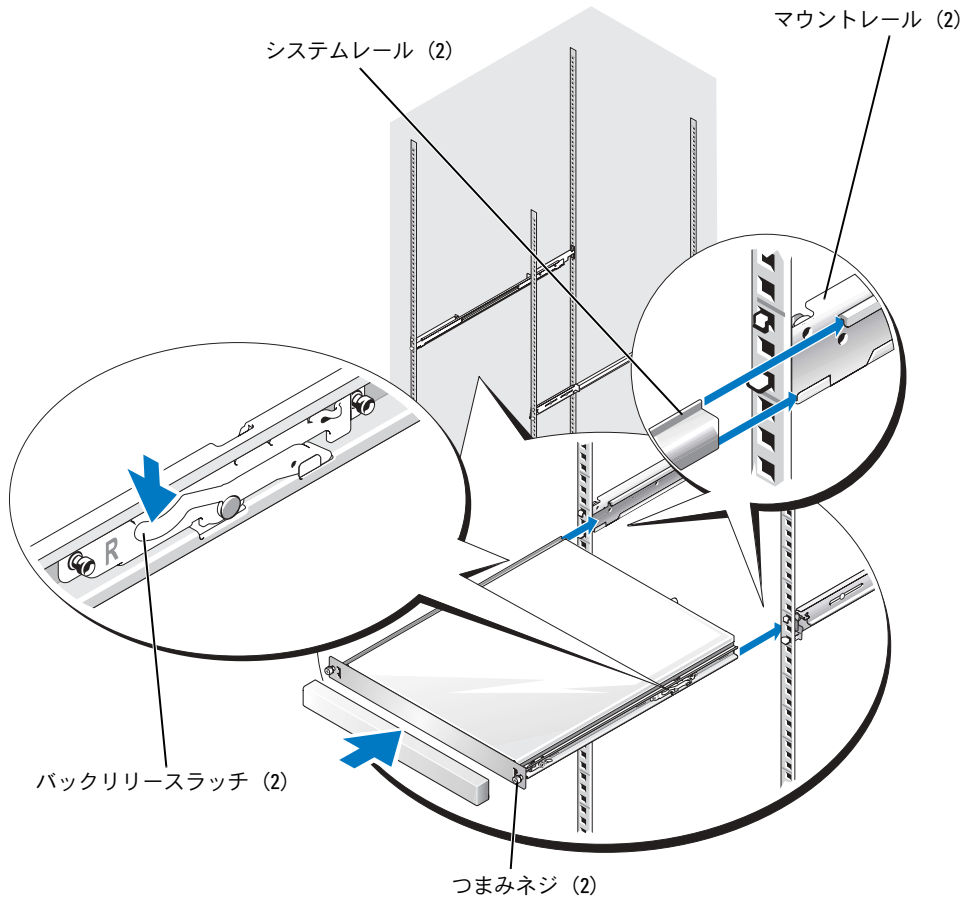
ラックへのシステムの取り付け

- ⚠ 警告：複数のシステムを取り付ける場合は、1台目のシステムをラックの最下段の位置に取り付けてください。
- ⚠ 警告：システムの大きさと重さを考慮して、マウントレールへのシステムの取り付けは1人では行わないでください。


システムをラックに取り付けるには、次の手順を実行します。

- 1 システムの正面からシャーシを持ち上げて、側面のレールがラックのマウントレールにはまるように位置を合わせます。

図 1-8 ラックへのシステムの取り付け



- 2 右から左の順に作業して、シャーシをマウントレールの上に設置し、後方に押し込みます (図 1-8 を参照)。
- 3 シャーシをマウントレールの一番奥まで押し込みます (図 1-8 を参照)。
- 4 シャーシ正面パネルの両方のつまみネジを締めます。

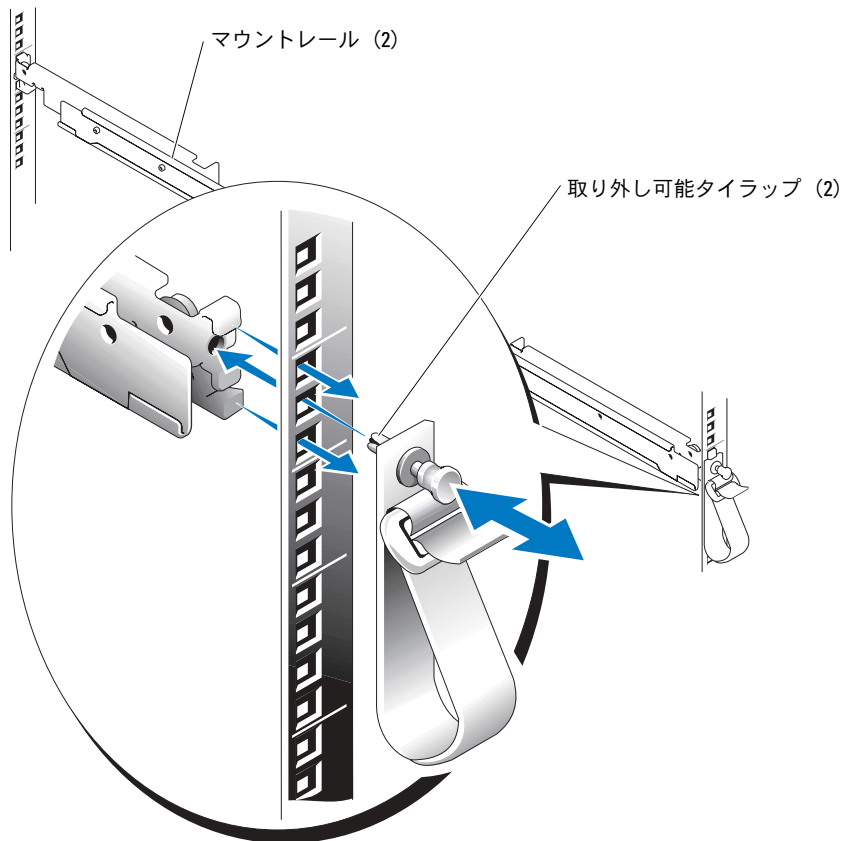
 **メモ** : 図 1-8 は RapidRails、VersaRails、2 柱型の各ラックキットに適用されます。

取り外し可能タイラップの取り付け

2本の取り外し可能タイラップを使用して、システムケーブルをマウントレールに固定できます。

- 1 背面取り付けブラケットのフランジに設けられた2つの取り外し可能タイラップ取り付け穴を確認します（図 1-9 を参照）。


図 1-9 取り外し可能タイラップの取り付け



- 2 タイラップの留め具を取り付け穴に挿入します。
- 3 タイラップのプランジャを押すと、カチッと音がしてタイラップがマウントレールに固定されます。
- 4 取り外し可能タイラップを使用して、システムのケーブルをマウントレールに固定します。

ラックからのシステムの取り外し


システムをラックから取り外すには、次の手順を実行します。

 **メモ：**システムをラックに取り付けたり取り外したりするために、オプションの前面ベゼルを取り外す必要はありません。

- 1 システムおよび接続されている周辺機器の電源を切り、システムを電源コンセントから外します。
- 2 シャーシ正面パネルの両方のつまみネジを外します。
- 3 システムの左右いずれかの側面で、背面リリースラッチを確認します。
- 4 システムが止まる位置までラックから引き出し、両方のリリースレバーを押し下げて、サイドレールのセーフティキャッチを作動させます（図 1-8 を参照）。
- 5 システムをラックから完全に引き出します。

ラック扉の取り付け

ラックに付属のマニュアルに記載されている扉の取り付け手順を参照してください。


 **警告：**ラックキャビネットの扉の大きさと重さを考慮して、取り付けおよび取り外しは1人では行わないでください。

これで4柱型ラックキャビネットへのシステムの取り付けは完了です。

2柱型ラックへの取り付け

2柱型ラックキットは、電気通信機器設備などで使用される2柱型オープンフレームリレーラックにシステムを取り付けるために使用します。3インチ（7.62 cm）および6インチ（15.24 cm）幅の2柱型ラック（取り付け穴の間隔はユニバーサルまたはワイド）に対応しています。このキットは、センターマウントまたはフラッシュマウントのどちらの構成にも取り付けることができます。

2柱型リレーラックは、ラックメーカーまたは業界規格が規定する床面または壁面用の留め具や支柱を使用して、床面、天井、上部壁面、あるいは適切であれば隣接するラックなどに正しく固定する必要があります。取り付けを開始する前に、2柱型ラックメーカーのマニュアルを参照して、警告事項を確認してください。

 **警告：**正しい位置にしっかりと固定されていない2柱型オープンフレームリレーラックには、システムを取り付けしないでください。システムの損傷や作業員および周囲の人々のけがを招くおそれがあります。

ラックの取り付けに関する追加の安全情報については、このガイドの冒頭に記載した「安全にお使いいただくために」を参照してください。

推奨する工具および備品

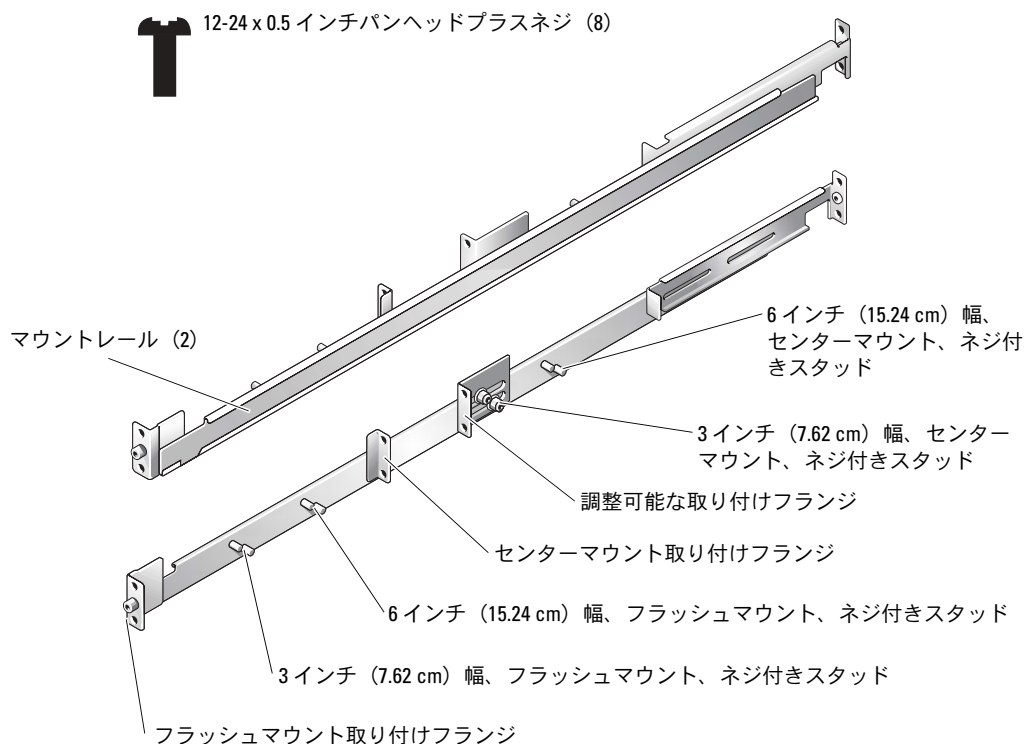
- #2 プラスドライバ
- 3/8 インチレンチまたはナットドライバ（ブラケットをフラッシュマウント構成に変更する場合）
- 取り付け穴に印を付けるために使用するマスキングテープまたはフェルトペン

ラックキットの内容

2 柱型ラックキットの付属品は次のとおりです（図 1-10 参照）。

- マウントレール 1 組
- 12-24 x 0.5 インチパンヘッドプラスネジ（8）
- 取り外し可能タイラップ（2）（図 1-10 には記載なし）

図 1-10 2 柱型ラックキットの部品



取り付け手順

2 柱型ラックキットを取り付けるには、次の手順を番号順に実行します。

- 1 ラックへの印付け
 - ユニバーサル間隔で穴があるラック
 - ワイド間隔で穴があるラック
- 2 ラックへのマウントレールの取り付け
 - センターマウント
 - フラッシュマウント
- 3 ラックへのシステムの取り付け
- 4 ケーブルの配線

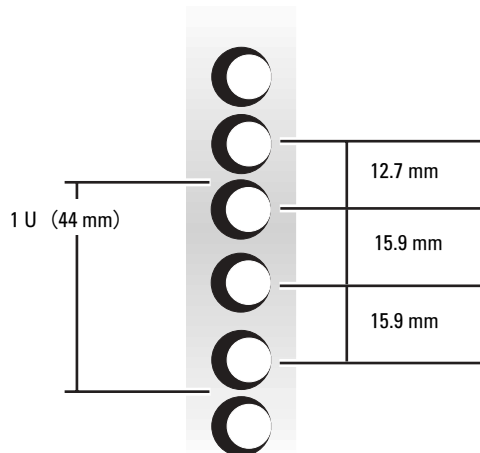
ラックへの印付け

2 柱型ラックに取り付ける各システムの上下には、1 U (44 mm) の空間を設ける必要があります。

ユニバーサル間隔で穴があるラック

ユニバーサル間隔で穴があるラックには、1 ラックユニット (1 U) ごとに 3 つの穴が交互に並んでいます。穴の中心から中心までの距離は、前面および背面垂直レールの 1 U スペースの一番上の穴から計測して 15.9 mm、15.9 mm、12.7 mm となっています (図 1-11 を参照)。

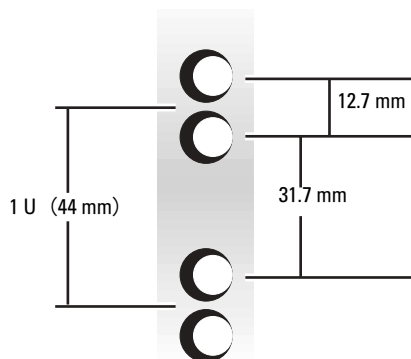
図 1-11 2 柱型オープンフレームリレーラックのユニバーサル間隔の穴



ワイド間隔で穴があるラック

ワイド間隔で穴があるラックには、ラックユニットごとに2つの穴が交互に並んでいます。穴の中心から中心までの距離は、前部および後部の垂直支柱の1 U スペースの一番上の穴から計測して 31.7 mm、12.7 mm となっています（図 1-12 を参照）。

図 1-12 2 柱型オープンフレームリレーラックのワイド間隔の穴




ラックに印を付けるには、次の手順を実行します。

- 1 前面垂直レール上で、2 柱型ラックに取り付けるシステムの底部の位置を決め、印を付けます。
各 1 U スペースの底部は、レールの穴の一番間隔が狭い金属部分の中央になります。
メモ：ワイド間隔で穴があるラックの場合は、手順 3 に進みます。
- 2 最初に印を付けた場所から 44 mm 上（あるいはユニバーサル間隔で穴があるラックでは、ラックの穴を上から 3 つ数えた場所）に印を付けます（図 1-11 を参照）。
ユニバーサル間隔で穴があるラックの垂直方向の各 1 U スペースには（一番上の穴から計測して）穴の中心間距離が 15.9 mm、15.9 mm、12.7 mm の間隔で 3 つの穴があります（図 1-11 を参照）。
メモ：ユニバーサル間隔で穴があるラックの場合、ラックの印付け手順はこれで完了です。
- 3 最初に印を付けた場所から 44 mm 上（あるいはワイド規格のラックでは次の上の穴の場所）に印を付けます（図 1-12 を参照）。
ワイド間隔で穴があるラックの垂直方向の各 1 U（44 mm）のスペースには、（一番上の穴から計測して）穴の中心間距離が 31.7 mm の間隔で 2 つの穴があります（図 1-12 を参照）。

マウントレールの取り付け

マウントレールは、ユニバーサル間隔（図 1-11 参照）またはワイド間隔（図 1-12 参照）のどちらの穴がある 2 柱型オープンフレームラックにも取り付けすることができます。また、マウントレールは、フラッシュマウント構成またはセンターマウント構成のどちらでも取り付けすることができます。

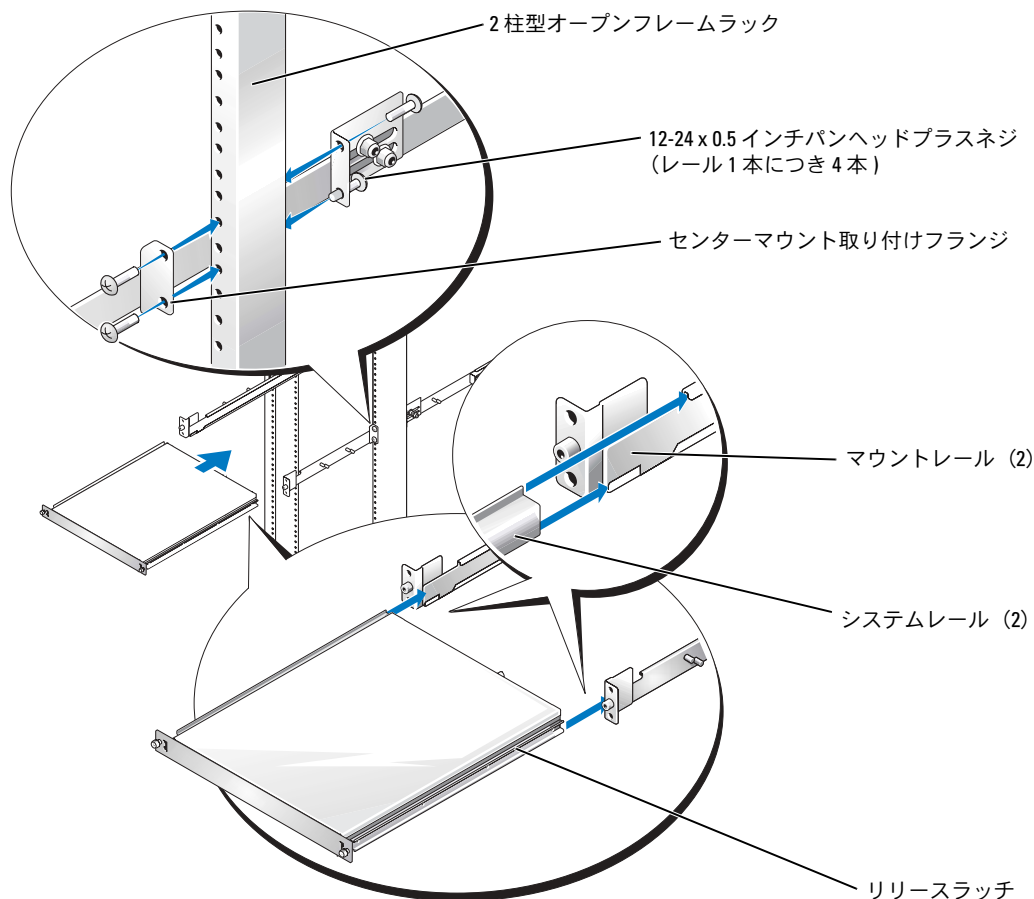
 **警告：**このラックキットを使用して別のシステムを取り付けしないでください。ご使用のシステム用のラックキットのみをお使いください。別のシステム用のラックキットを使用すると、システムが損傷し、ご自身や周囲の人々がけがをするおそれがあります。

センターマウント構成での取り付け

2 柱型ラックキットは、3 インチ（7.62 cm）幅センターマウント用のブラケット構成で出荷されています。マウントレールの付属部品については、図 1-10 を参照してください。取り付けを完了するには、次の手順を実行します。

- 1 右側のマウントレールを確認します。調整可能な取り付けブラケットを押し、マウントレールの後方へ移動させます（図 1-13 を参照）。
- 2 右側のマウントレールを、2 柱型ラックの印を付けた場所に合わせ、センターマウントの調整可能な取り付けブラケットを前方へ押し、2 柱型ラックの支柱に押しつけ、4 本の 12-24 x 0.5 インチパンヘッドプラスネジを使用して取り付けフランジと取り付けブラケットを固定します（図 1-13 を参照）。
- 3 手順 1 と手順 2 を繰り返して、左側のマウントレールをラックに取り付けます。

図 1-13 センターマウント構成でのマウントレールの取り付け



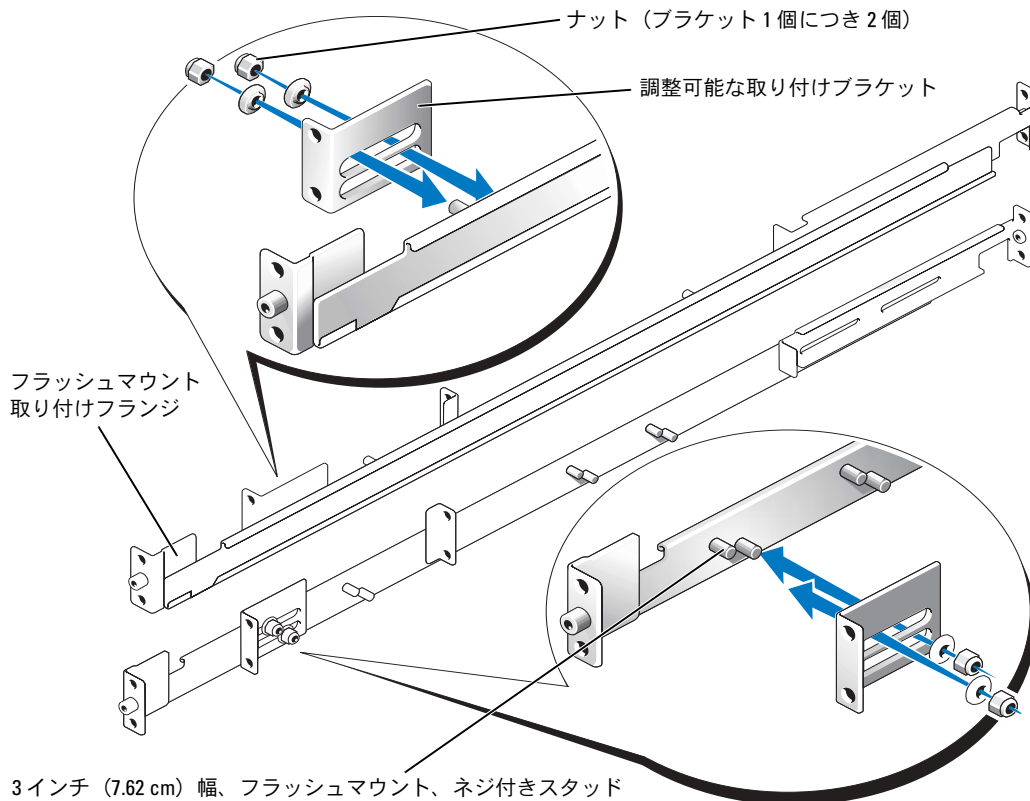
フラッシュマウント構成での取り付け

2 柱型ラックキットは、3 インチ (7.62 cm) 幅センターマウント用のブラケット構成で出荷されています。マウントレールの付属部品については、図 1-10 を参照してください。2 柱型ラックでフラッシュマウント構成にするためには、次の手順でマウントレールを準備します。

- 1 滑らかな作業面に、レールの前端を手前にして 2 本のマウントレールを並べます (図 1-14 を参照)。
- 2 3/8 インチレンチまたはナットドライバを使って、調整可能な取り付けブラケットから 2 個のナットを取り外します (図 1-14 を参照)。

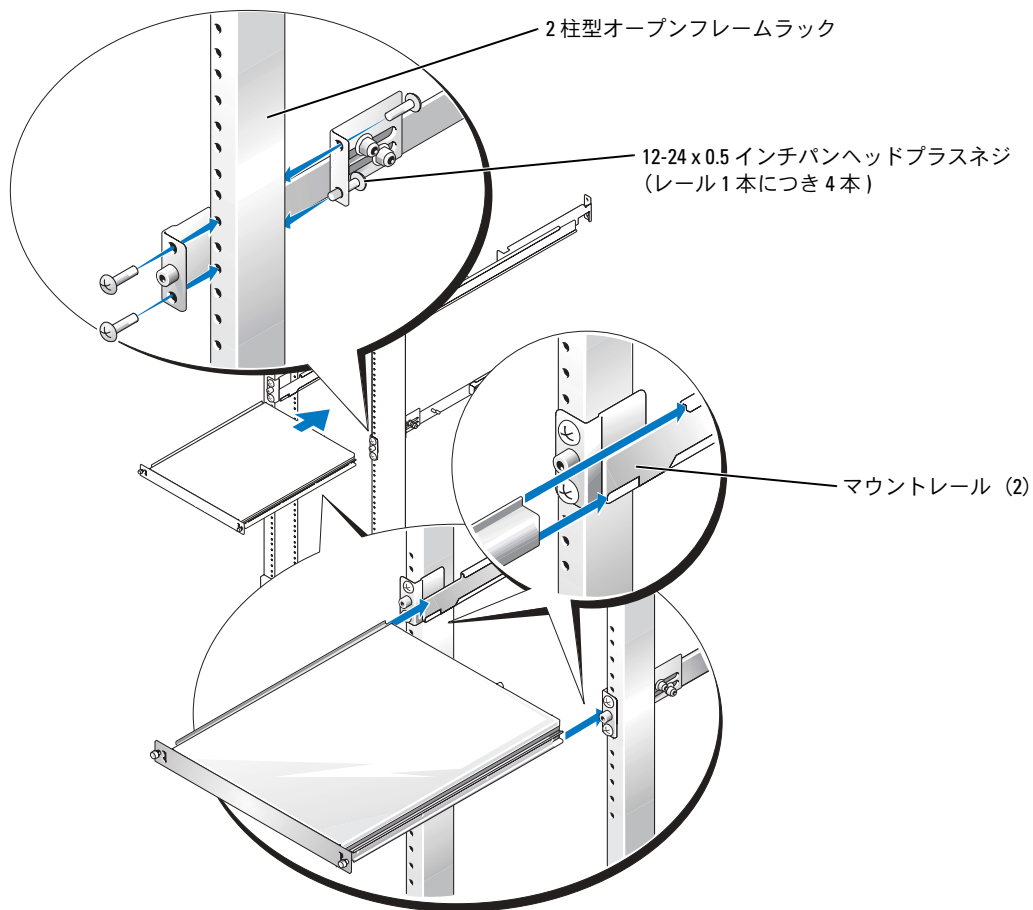
- 3 ブラケットを取り外し、3 インチ (7.62 cm) または 6 インチ (15.24 cm) 幅のどちらかの取り付け用ネジ付きスタッドに取り付けます (図 1-14 を参照)。
- 4 手順 2 で取り外した 2 個のナットを調整可能な取り付けブラケットに取り付け、手締めで固定します (図 1-14 を参照)。
- 5 手順 2 ~ 手順 4 を繰り返して、反対側のマウントレールも同様に準備します。

図 1-14 フラッシュマウント構成での調整可能な取り付けブラケットの準備



- 6 左側のマウントレールを印を付けた位置に合わせ、フラッシュマウント取り付けフランジを 2 柱型ラックの支柱の前面にぴったり合わせて置き、2 本の 12-24 x 0.5 インチパンヘッドプラスネジを使って支柱に固定します (図 1-15 を参照)。
- 7 調整可能な取り付けブラケットを 2 柱型ラックの支柱の背面まで押し込み、2 本の 12-24 x 0.5 インチパンヘッドプラスネジを使って支柱に固定します (図 1-15 を参照)。
- 8 手順 6 と手順 7 を繰り返して、右側のマウントレールをラックに取り付けます。
- 9 3/8 インチレンチまたはナットドライバで、両方のマウントレールのブラケットに取り付けたナットをすべて締め付けます。

図 1-15 フラッシュマウント構成でのマウントレールの取り付け



ラックへのシステムの取り付け

手順については、「4 柱型ラックの取り付け」の「ラックへのシステムの取り付け」を参照してください。

取り外し可能タイラップの取り付け

手順については、「4 柱型ラックの取り付け」の「取り外し可能タイラップの取り付け」を参照してください。

これで 2 柱型キットへのシステムの取り付けは完了です。

索引

数字

- 2 柱型ラックキット
キットの内容, 103
工具と備品, 103
システムの取り付け, 109
マウントレールの取
り付け, 106
ラックへの印付け, 104
- 4 柱型ラック
システムの取り外し, 102
- 4 柱型ラックキット
RapidRails キットの内容, 92
VersaRails キットの内容, 92
工具と備品, 91

R

- RapidRails
キットの内容, 92

V

- VersaRails
キットの内容, 92, 93, 101
取り付け, 98, 99
VersaRails のラック要件, 91

あ

- 安全にお使いいた
くために, 89

き

- キットの内容
2 柱型ラック, 103
RapidRails, 92
VersaRails, 92, 93, 101

こ

- 工具と備品
2 柱型ラックキット, 103
4 柱型ラックキット, 91

し

- システムの取り外し
4 柱型ラック, 102

す

- 垂直レール
1 ラックユニット, 94
印付け, 94
スタビライザ, 91

せ

- センターマウント構成, 106

た

- タイラップ
取り付け, 109

と

- 扉
取り付け, 102
取り外し, 94
- 取り付け
2 柱型ラックキット, 102
2 柱型ラックのタイ
ラップ, 109
2 柱型ラックへのシステムの
取り付け, 109
2 柱型ラックへのマウント
レール, 106, 107
4 柱型ラックキット, 97
4 柱型ラックのタイ
ラップ, 101
4 柱型ラックへのシステムの
取り付け, 99
RapidRails マウント
レール, 97
Static Rail モジュール, 98
VersaRails マウント
レール, 98, 99

な

内容のリスト

2 柱型ラックキット, 103

RapidRails キット, 92

VersaRails キット, 92

ふ

フラッシュマウント

構成, 107

ら

ラックスタビライザ, 91

ラック扉の取り付け, 102

ラック取り付け時の注
意事項, 90

ラックへの印付け

2 柱型ラックキット,
104, 105

4 柱型ラックキット, 94

ラックユニット, 94

Guía de instalación del rack

Notas, avisos y precauciones



NOTA: una NOTA proporciona información importante que le ayudará a utilizar mejor el ordenador.



AVISO: un AVISO indica la posibilidad de daños en el hardware o la pérdida de datos, e informa de cómo evitar el problema.



PRECAUCIÓN: un mensaje de PRECAUCIÓN indica el riesgo de daños materiales, lesiones corporales o incluso la muerte.

La información contenida en este documento puede modificarse sin previo aviso.

© 2005 Dell Inc. Reservados todos los derechos.

Queda estrictamente prohibida la reproducción de este documento en cualquier forma sin la autorización por escrito de Dell Inc.

Marcas comerciales utilizadas en este texto: *RapidRails* y *VersaRails* son marcas comerciales de Dell Inc.

Otras marcas y otros nombres comerciales pueden utilizarse en este documento para hacer referencia a las entidades que los poseen o a sus productos. Dell Inc. renuncia a cualquier interés sobre la propiedad de marcas y nombres comerciales que no sean los suyos.

Contenido

| | |
|---|------------|
| Instrucciones de seguridad | 117 |
| SEGURIDAD: Montaje de sistemas en rack | 117 |
| Instrucciones de instalación | 118 |
| Antes de comenzar | 118 |
| Información de seguridad importante | 118 |
| Requisitos del rack para VersaRails | 119 |
| Instalación del rack de cuatro postes | 119 |
| Pies estabilizadores del rack | 119 |
| Herramientas y material recomendados | 119 |
| Contenido del kit para rack RapidRails | 120 |
| Contenido del kit para rack VersaRails | 120 |
| Tareas de instalación | 121 |
| Extracción de las puertas del rack | 122 |
| Marcado del rack | 122 |
| Instalación de los rieles de montaje en el rack | 124 |
| Instalación y extracción de los módulos de rieles estáticos del chasis | 126 |
| Instalación del sistema en el rack | 127 |
| Instalación de las abrazaderas desmontables | 129 |
| Extracción del sistema del rack | 130 |
| Colocación de las puertas del rack | 130 |
| Instalación del rack de dos postes | 130 |
| Herramientas y material recomendados | 131 |
| Contenido del kit de rack | 131 |
| Tareas de instalación | 132 |
| Marcado del rack | 132 |
| Instalación de los rieles de montaje | 134 |
| Instalación del sistema en el rack | 137 |
| Instalación de las abrazaderas desmontables | 137 |
| Índice | 139 |

Figuras

| | | |
|--------------|--|-----|
| Figura 1-1. | Contenido del kit de rack RapidRails | 120 |
| Figura 1-2. | Contenido del kit para rack VersaRails | 121 |
| Figura 1-3. | Una unidad de rack | 122 |
| Figura 1-4. | Marcado de los rieles verticales | 123 |
| Figura 1-5. | Instalación de los rieles de montaje RapidRails | 125 |
| Figura 1-6. | Instalación de los rieles de montaje VersaRails | 126 |
| Figura 1-7. | Instalación y extracción de los módulos de rieles estáticos del chasis | 127 |
| Figura 1-8. | Instalación del sistema en el rack | 128 |
| Figura 1-9. | Instalación de las abrazaderas desmontables | 129 |
| Figura 1-10. | Componentes del kit de rack de dos postes | 131 |
| Figura 1-11. | Separación universal entre los orificios en un rack abierto de dos postes | 132 |
| Figura 1-12. | Separación ancha entre los orificios en un rack abierto de dos postes | 133 |
| Figura 1-13. | Instalación de los rieles de montaje para una configuración de montaje centrado | 135 |
| Figura 1-14. | Configuración del soporte de montaje ajustable para el montaje a ras | 136 |
| Figura 1-15. | Instalación de los rieles de montaje para una configuración de montaje a ras | 137 |


Instrucciones de seguridad


Siga estas pautas de seguridad para garantizar su propia seguridad y proteger el sistema y el entorno de trabajo frente a posibles daños. Para obtener información completa acerca de la seguridad, consulte la *Guía de información del producto*.


SEGURIDAD: Montaje de sistemas en rack

Tenga en cuenta las precauciones siguientes para garantizar la estabilidad y la seguridad del rack.

Los sistemas son considerados como componentes de un rack. Por lo tanto, “componente” se refiere a cualquier sistema, así como a los distintos periféricos o al hardware de soporte.

 **PRECAUCIÓN:** antes de instalar sistemas en un rack, instale los estabilizadores frontales y laterales para racks individuales, o bien los estabilizadores frontales para varios racks unidos. El montaje de sistemas en un rack sin los estabilizadores correspondientes puede hacer que vuelque el rack, hecho que puede producir lesiones personales. Por lo tanto, instale siempre los estabilizadores antes de instalar los componentes en el rack.

 **PRECAUCIÓN:** después de instalar los componentes en un rack, no extraiga nunca más de un componente sobre sus conjuntos deslizantes a la vez. El peso de más de un componente puede hacer que el rack vuelque y provocar lesiones personales.

 **NOTA:** el sistema está homologado en cuanto a seguridad como unidad autónoma y como componente para su uso en un armario rack, utilizando el kit para rack de clientes en los casos en los que el armario rack y el kit para rack estén diseñados para su sistema. La instalación del sistema y del kit para rack de Dell en otros armarios rack no ha sido aprobada por ninguna agencia de seguridad. Es responsabilidad del cliente la evaluación, por parte de una agencia de seguridad certificada, de la combinación final de sistema y kit para rack montados en un armario. El fabricante declina toda responsabilidad y garantía relacionadas con tales combinaciones.

- Los kits para rack están concebidos para ser montados en un rack aprobado por técnicos de servicio cualificados. Si monta el kit en cualquier otro rack, éste debe cumplir las especificaciones.
- Antes de trabajar en el rack, los estabilizadores deben estar fijados en el rack y todo el peso del rack debe descansar sobre el suelo. Antes de trabajar en el rack, instale los estabilizadores frontales y laterales en caso de un único rack, o bien los estabilizadores frontales en caso de varios racks unidos.
- Cargue siempre el rack desde la parte inferior hacia arriba, colocando en primer lugar el elemento más pesado.
- El rack debe estar nivelado y estable antes de extraer un componente.
- No sobrecargue el circuito de alimentación de CA que suministra energía al rack. La carga total del rack no debe ser superior al 80 % de la corriente nominal del circuito.
- Los componentes del rack deben disponer de una ventilación suficiente.
- Cuando manipule otros sistemas o componentes del rack, no se suba ni se apoye en ningún sistema o componente.

Instrucciones de instalación

En esta guía de instalación se proporcionan instrucciones para técnicos de servicio cualificados que instalen uno o más sistemas en un rack abierto o en un armario rack. El kit de rack RapidRails™ se puede montar en todos los armarios rack del fabricante sin herramientas, y el kit de rack VersaRails™ se puede montar en la mayoría de los armarios rack estándar del sector. Los procedimientos para instalar los kits de rack RapidRails y VersaRails son similares. Por cada sistema que se vaya a instalar en el armario rack se precisa un kit de rack.


En la guía se incluyen los procedimientos para los kits de rack siguientes:


- Kit RapidRails en un armario rack de cuatro postes
- Kit VersaRails en un armario rack de cuatro postes
- Kit de dos postes (instalado en la configuración de montaje centrado o a ras)

Antes de comenzar

Antes de montar el sistema en el rack, lea detenidamente la sección “Instrucciones de seguridad” de esta guía, así como las instrucciones de seguridad que se incluyen en la *Guía de información del producto* para obtener información adicional.


 **PRECAUCIÓN:** cuando instale varios sistemas en un rack, realice todos los procedimientos para el sistema actual antes de instalar el siguiente sistema.


 **PRECAUCIÓN:** los armarios rack pueden ser muy pesados y moverse fácilmente gracias a las ruedas. No disponen de frenos. Preste extremo cuidado cuando mueva un armario rack. Si traslada el armario rack, pliegue primero los pies niveladores. Evite rampas o inclinaciones largas o pronunciadas para evitar perder el control del armario. Extienda los pies niveladores de apoyo para evitar que el armario se desplace.

 **NOTA:** para obtener instrucciones sobre la instalación del sistema, consulte “Instalación del sistema en el rack”.

Información de seguridad importante

Tenga en cuenta las precauciones de seguridad descritas en las secciones siguientes al instalar el sistema en el rack.

 **PRECAUCIÓN:** debe seguir estrictamente los procedimientos que se explican en este documento para protegerse a sí mismo y a otras personas que puedan verse involucradas. El sistema puede tener una envergadura y un peso considerables, por lo que son importantes una preparación y planificación adecuadas para evitar lesiones personales. Esta precaución es aún más importante cuando se montan sistemas en la parte alta del rack.

 **PRECAUCIÓN:** no instale componentes de kit para rack que estén diseñados para otro sistema. Utilice únicamente el kit para rack correspondiente a su sistema. Si utiliza un kit de rack para otro sistema, el sistema puede resultar dañado y usted u otras personas podrían lesionarse.

Requisitos del rack para VersaRails

- ➔ **AVISO:** el kit de rack VersaRails lo deben montar únicamente técnicos de servicio cualificados en un rack que cumpla las especificaciones siguientes: American National Standards Institute (ANSI)/Electronic Industries Association (EIA) ANSI/EIA-310-D-92, International Electrotechnical Commission (IEC) 297 y Deutsche Industrie Norm (DIN) 41494. Se precisa un kit de rack para cada sistema que se instale en el rack.

Instalación del rack de cuatro postes

Antes de llevar a cabo la instalación, lea detenidamente el procedimiento completo.

Pies estabilizadores del rack

- ⚠ **PRECAUCIÓN:** antes de instalar sistemas en un rack, instale los estabilizadores frontales y laterales para racks individuales, o bien los estabilizadores frontales para varios racks unidos. El montaje de sistemas en un rack sin los estabilizadores correspondientes puede hacer que vuelque el rack, hecho que puede producir lesiones personales. Por lo tanto, instale siempre los estabilizadores antes de instalar los componentes en el rack.

Los pies estabilizadores ayudan a evitar que el rack vuelque. Consulte la documentación que se facilita con el armario rack para obtener instrucciones sobre la instalación y la fijación de los pies estabilizadores.

Herramientas y material recomendados

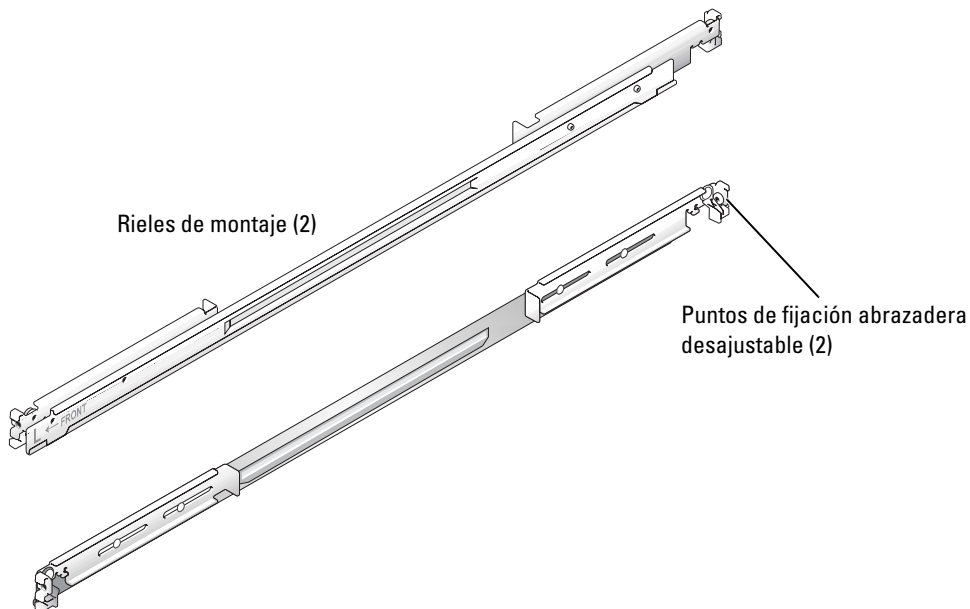
Para montar el sistema en un armario rack de cuatro postes, necesita los elementos siguientes:

- Destornillador Phillips del nº 2
- Cinta adhesiva o rotulador de punta de fieltro para marcar los orificios de montaje que se utilizarán

Contenido del kit para rack RapidRails

- Un par de rieles de montaje RapidRails
- Abrazaderas desmontables (2) (no se muestran en la figura 1-1)

Figura 1-1. Contenido del kit de rack RapidRails

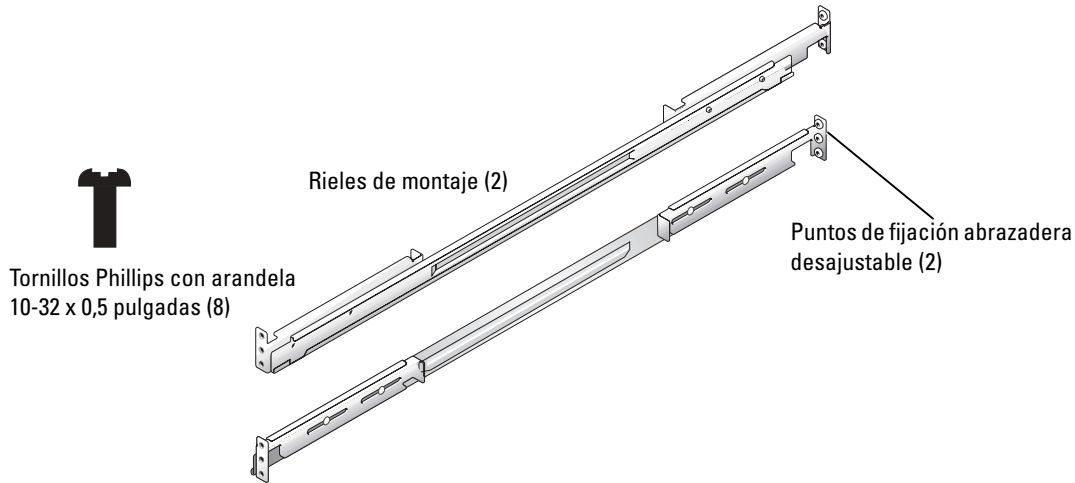


Contenido del kit para rack VersaRails

- Un par de rieles de montaje VersaRails
- Tornillos Phillips con arandela 10-32 x 0,5 pulgadas (8)
- Abrazaderas desmontables (2) (no se muestran en la figura 1-2)

NOTA: los tornillos no métricos que se describen en las ilustraciones y en los procedimientos se identifican por el tamaño y el número de roscas por pulgada. Por ejemplo, un tornillo Phillips del nº 10 con 32 roscas por pulgada se identifica como un tornillo 10-32.

Figura 1-2. Contenido del kit para rack VersaRails



Tareas de instalación

La instalación del kit del rack implica las siguientes tareas (que se describen en detalle en las siguientes subsecciones) en el orden indicado:

- 1 Extracción de las puertas del rack
- 2 Marcado del rack
- 3 Instalación de los rieles de montaje en el rack
 - Instalación de RapidRails
 - Instalación de VersaRails
 - Instalación de los rieles estáticos
- 4 Instalación del sistema en el rack
- 5 Cableado y protección mediante abrazaderas desmontables
- 6 Colocación de las puertas del rack

NOTA: para completar la tarea 3 se proporcionan tres procedimientos: uno para el kit RapidRails, otro para el kit VersaRails y otro para el kit StaticRail.

Extracción de las puertas del rack

Para extraer las puertas, consulte los procedimientos correspondientes en la documentación suministrada con el armario rack.

⚠ PRECAUCIÓN: debido al tamaño y al peso de las puertas del armario rack, nunca debe intentar montarlas ni desmontarlas sin ayuda.

⚠ PRECAUCIÓN: guarde las puertas donde no puedan lesionar a nadie si caen accidentalmente.

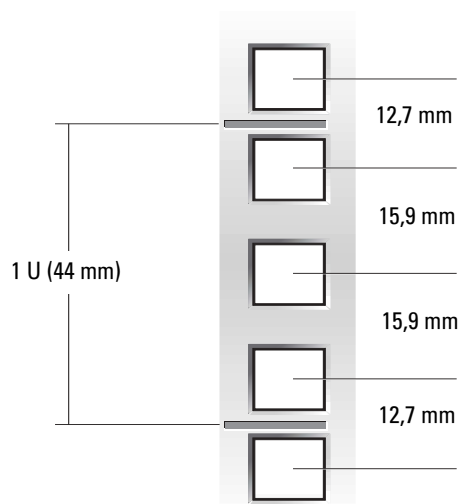
Marcado del rack

Para un sistema 1-U, debe dejar 1 U (44 mm) de espacio vertical por cada sistema que instale en el rack.

Los armarios rack que cumplen los estándares EIA-310 tienen un patrón alterno de tres orificios por unidad de rack con un espacio entre orificios de centro a centro (comenzando en el orificio superior de un espacio 1-U) de 15,9 mm, 15,9 mm y 12,7 mm para los rieles verticales frontal y posterior (consulte la figura 1-3). Los armarios rack pueden tener orificios redondos o cuadrados.

🔍 NOTA: los rieles verticales se pueden marcar con líneas horizontales y números a incrementos de 1-U. Si lo desea, puede crear una nota del número haciendo una marca en el riel vertical del estante. No es necesario marcar ni colocar cinta en el rack.

Figura 1-3. Una unidad de rack



⚠ PRECAUCIÓN: si va a instalar más de un sistema, instale los rieles de montaje de modo que el primer sistema se instale en la posición más baja disponible en el rack.

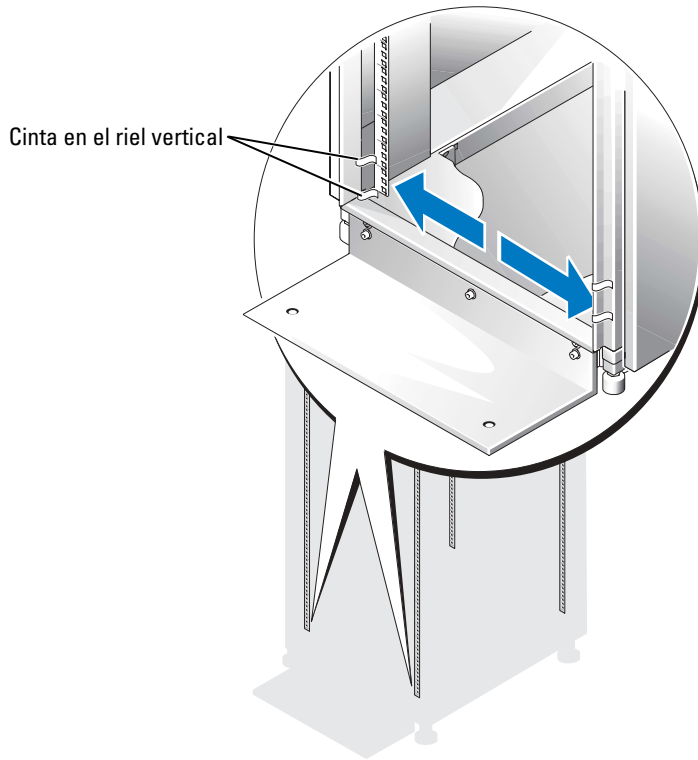
Para marcar el rack, realice los pasos siguientes:

- 1 Coloque una marca (o una cinta) en los rieles verticales frontales del rack en los que desee colocar la parte inferior del sistema que está instalando en el rack.

La parte inferior de cada espacio 1-U se encuentra en el centro de la zona metálica más estrecha entre orificios (marcados con una línea horizontal en algunos armarios rack; consulte la figura 1-4).

- 2 Coloque una marca a 44 mm por encima de la marca original que ha realizado (o cuente tres orificios en un rack que cumpla los estándares EIA-310) y marque los rieles verticales frontales del rack con un rotulador de punta de fieltro o coloque cinta adhesiva (si ha contado orificios, coloque una marca encima del orificio superior). Esta marca o trozo de cinta indica dónde se va a situar el borde superior del sistema en los rieles verticales (consulte la figura 1-4).

Figura 1-4. Marcado de los rieles verticales

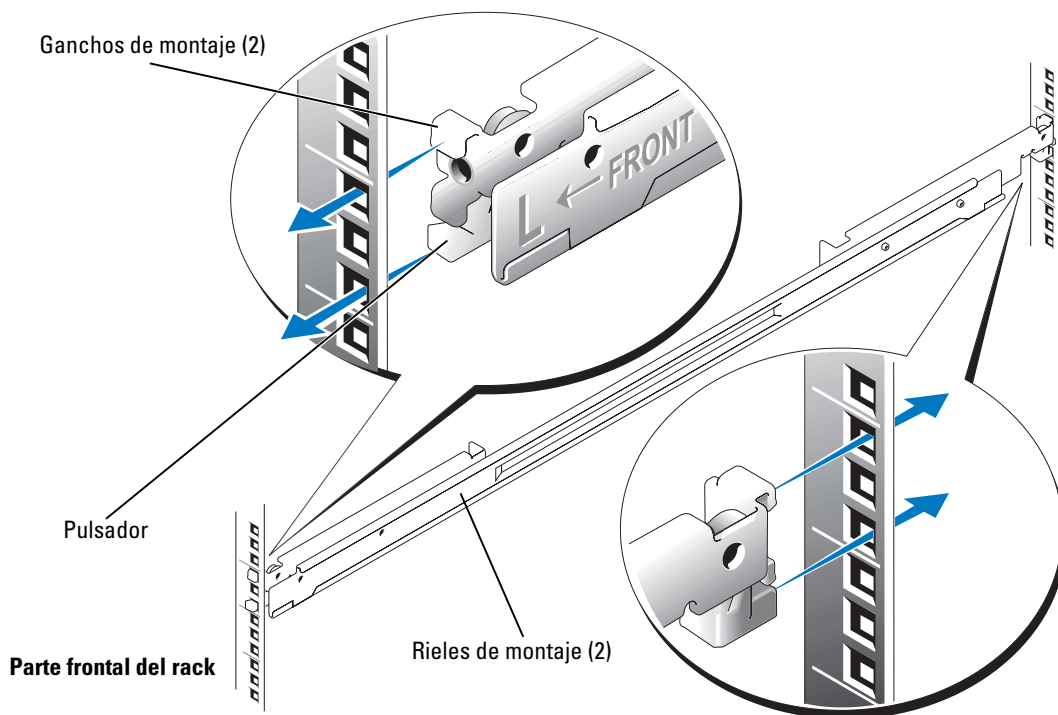


Instalación de los rieles de montaje en el rack

Instalación de los rieles de montaje RapidRails

- 1** En la parte frontal del armario rack, coloque uno de los rieles de montaje RapidRails de forma que la superficie de montaje se ajuste perfectamente entre las marcas o la cinta colocada (o punto numerado) en los rieles verticales del rack (consulte la figura 1-5).
El gancho de montaje superior de la superficie de montaje frontal debe entrar en el orificio superior entre las marcas realizadas en los rieles verticales.
- 2** Empuje el riel de montaje hasta que los ganchos de montaje entren en los orificios cuadrados correspondientes. A continuación, presione hacia abajo la superficie de montaje hasta que los ganchos de montaje queden encajados y el botón de presión salga y se oiga un clic (consulte la figura 1-5).
- 3** En la parte posterior del armario, tire hacia atrás de la superficie de montaje hasta que los ganchos de montaje encajen en los orificios cuadrados correspondientes y, a continuación, empuje hacia abajo la superficie hasta que los ganchos de montaje queden encajados y el botón de presión salga y se oiga un clic.
- 4** Repita del paso 1 al paso 3 para el riel de montaje del otro lateral del rack.
- 5** Asegúrese de que los rieles de montaje estén montados en la misma posición vertical en ambos lados del rack.

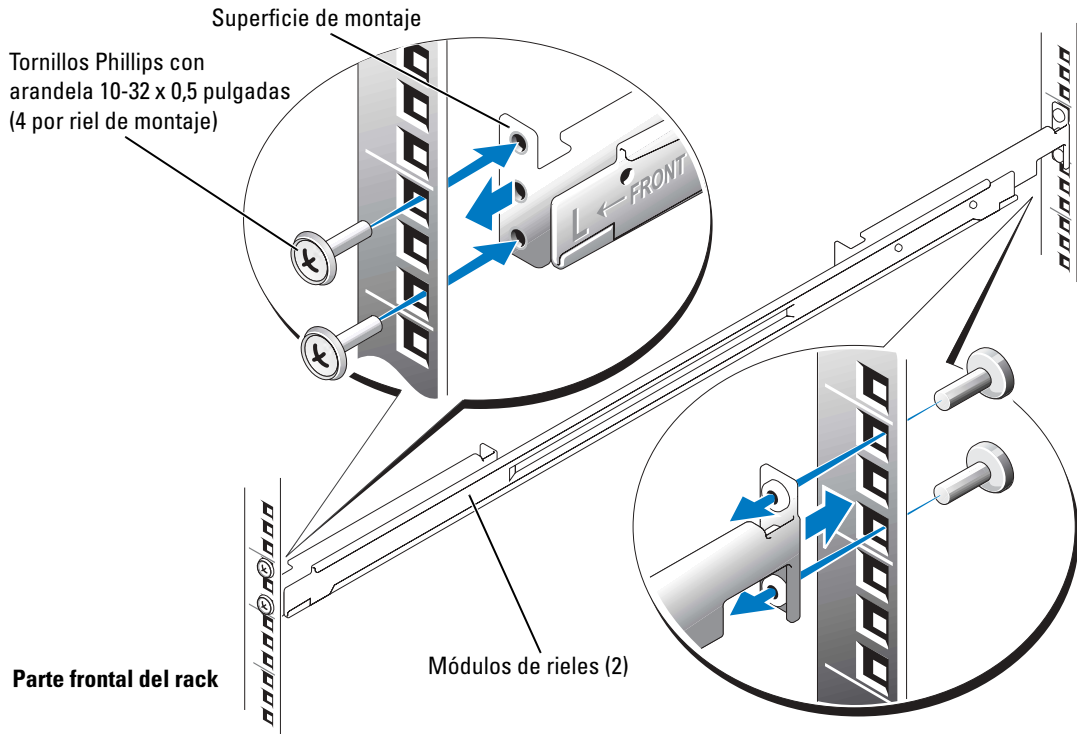
Figura 1-5. Instalación de los rieles de montaje RapidRails



Instalación de los rieles de montaje VersaRails

- 1 En la parte frontal del armario rack, coloque uno de los rieles de montaje VersaRails de forma que la superficie de montaje se ajuste perfectamente entre las marcas (o punto numerado) realizadas en los rieles verticales del rack (consulte la figura 1-6).
Los tres orificios de la parte frontal de la superficie de montaje deben alinearse con los orificios situados entre las marcas realizadas en el riel vertical frontal.
- 2 Coloque dos tornillos Phillips con arandela 10-32 x 0,5 pulgadas en los orificios superior e inferior de la superficie de montaje para fijar el riel de montaje al riel vertical frontal.
- 3 En la parte posterior del armario, tire hacia atrás de la superficie de montaje hasta que los orificios de montaje queden alineados con los orificios correspondientes del riel vertical posterior.
- 4 Coloque dos tornillos Phillips con arandela 10-32 x 0,5 pulgadas en los orificios superior e inferior de la superficie de montaje posterior para fijar el riel de montaje al riel vertical posterior.
- 5 Repita del paso 1 al paso 4 para el riel de montaje del otro lateral del rack.
- 6 Asegúrese de que los rieles de montaje están montados en la misma posición en los rieles verticales en cada lado del rack.

Figura 1-6. Instalación de los rieles de montaje VersaRails

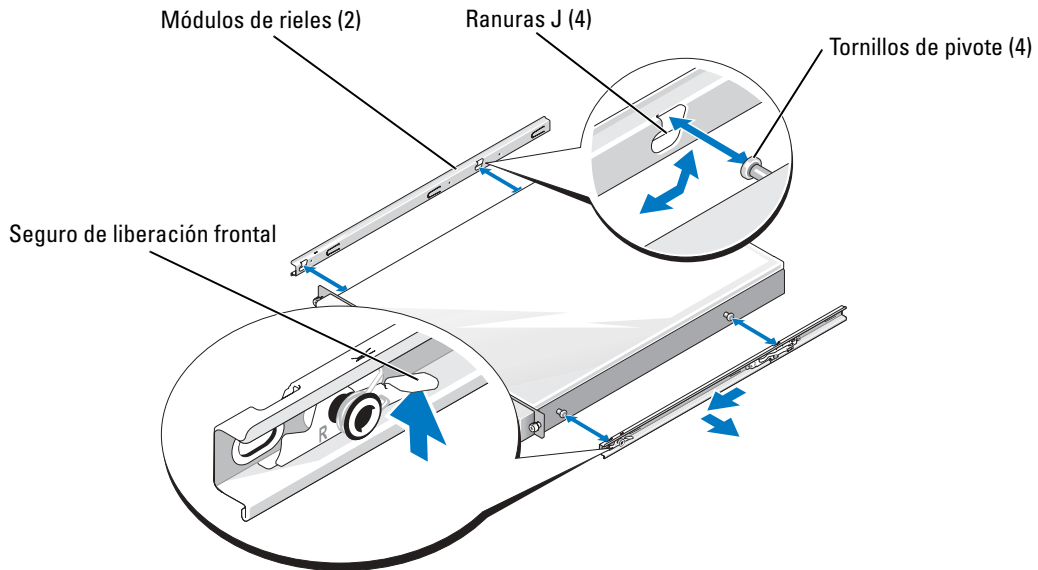


Instalación y extracción de los módulos de rieles estáticos del chasis

NOTA: no es necesario extraer el bisel anterior opcional para instalar o extraer los módulos de rieles estáticos del chasis.

- 1 Para instalar los rieles, busque las ranuras J en ambos. Busque los dos tornillos de pivote correspondientes que se encuentran en ambos lados del chasis hacia la parte frontal y el punto medio (consulte la figura 1-7).
- 2 Para conectar los rieles al chasis, alinee las dos ranuras J de los módulos de rieles con los tornillos de pivote. Coloque cada riel directamente debajo de los dos tornillos de pivote correspondientes (consulte la figura 1-7).
- 3 Para encajar los rieles, tire de los seguros frontales que se encuentran conectados a la parte frontal de cada uno de ellos. Tire y empuje cada uno de los rieles para encajarlos en el chasis.
- 4 Para retirar los rieles del chasis, tire de los seguros frontales de cada uno de ellos.
- 5 Desencaje los rieles de las ranuras J y retírelos del chasis.

Figura 1-7. Instalación y extracción de los módulos de rieles estáticos del chasis



Instalación del sistema en el rack

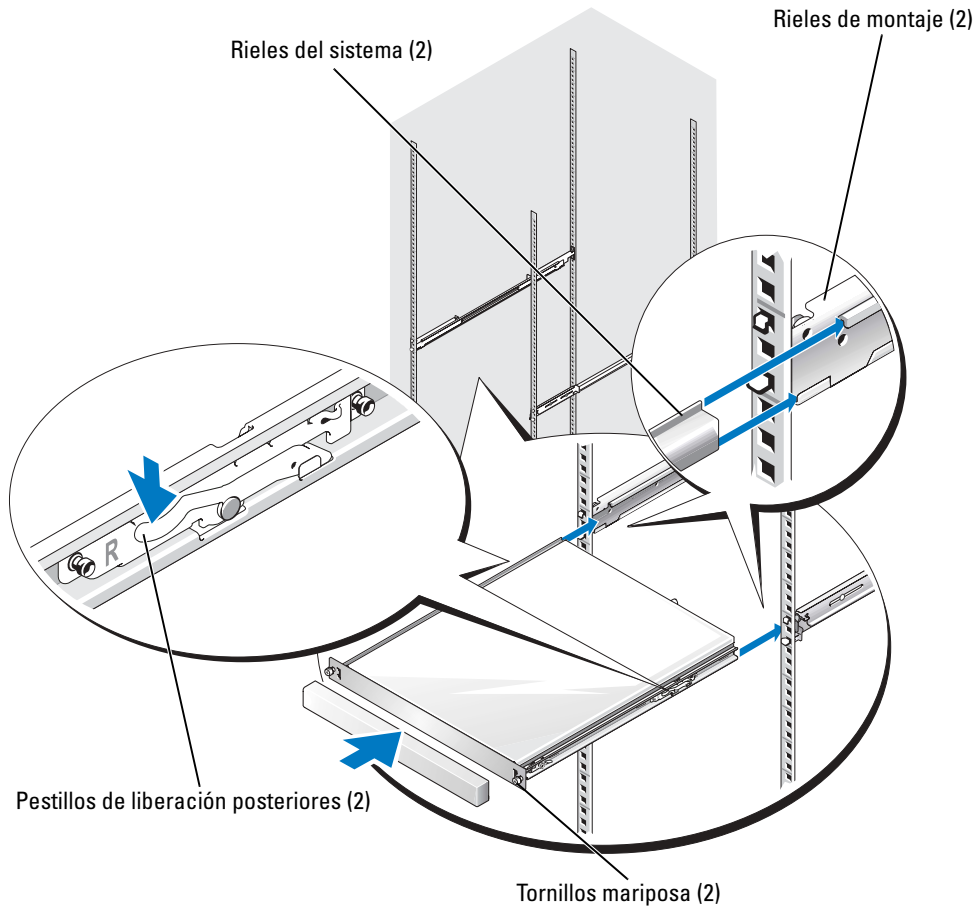
⚠ PRECAUCIÓN: si va a instalar más de un sistema, instale el primero en la posición más baja que haya disponible en el rack.

⚠ PRECAUCIÓN: debido al tamaño y el peso del sistema, no intente nunca montar el sistema en los rieles de montaje sin ayuda.

Para instalar el sistema en el rack, realice el procedimiento siguiente:

- 1 En la parte frontal del sistema, coloque el chasis en una posición en la que los rieles laterales queden alineados con los rieles de montaje del rack.

Figura 1-8. Instalación del sistema en el rack



- 2** Coloque el chasis en los rieles de montaje empezando por la derecha y deslícelo (consulte la figura 1-8).
- 3** Vuelva a insertar el chasis en los rieles de montaje hasta que se detenga (consulte la figura 1-8).
- 4** Fije ambos tornillos mariposa en el panel frontal del chasis.

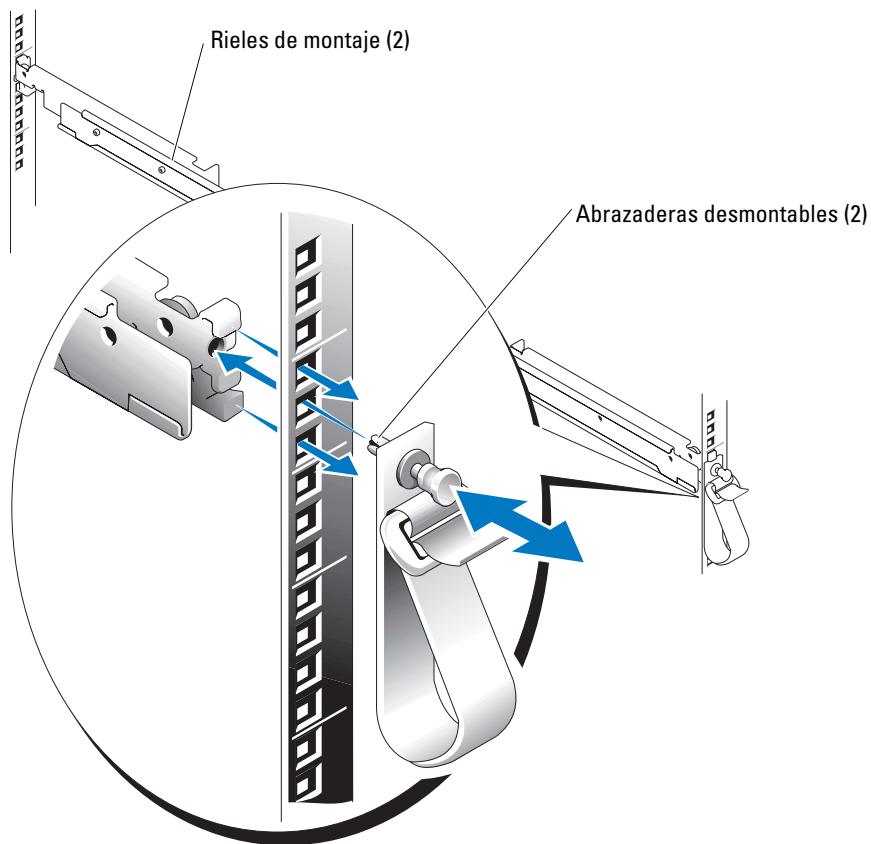
NOTA: la figura 1-8 hace referencia al kit RapidRails, al kit VersaRails y al kit de rack de dos postes.

Instalación de las abrazaderas desmontables

Las dos abrazaderas desmontables sirven para fijar los cables del sistema a los rieles de montaje.

- 1 Localice los puntos de fijación de las abrazaderas desmontables ubicados en las dos superficies de montaje posterior (consulte la figura 1-9).

Figura 1-9. Instalación de las abrazaderas desmontables



- 2 Empuje el dispositivo de sujeción de la abrazadera por el punto de fijación.
- 3 Empuje el fiador de la abrazadera hasta que encaje para fijar la abrazadera al riel de montaje.
- 4 Mediante la abrazadera desmontable, sujete los cables del sistema al riel de montaje.

Extracción del sistema del rack

Para extraer el sistema del rack, realice el procedimiento siguiente:



NOTA: no es necesario extraer el bisel anterior opcional para instalar o extraer el sistema del rack.

- 1 Apague el sistema y los periféricos conectados, y desconecte el sistema de la toma eléctrica.
- 2 Libere ambos tornillos mariposa del panel frontal del chasis.
- 3 Localice los seguros de liberación posteriores de ambos lados del sistema.
- 4 Tire del sistema para extraerlo del rack hasta que se detenga y, a continuación, presione ambas palancas de liberación para liberar las presillas de seguridad del riel lateral (consulte la figura 1-8).
- 5 Tire del sistema hasta extraerlo completamente del rack.

Colocación de las puertas del rack

Para volver a colocar las puertas, consulte los procedimientos en la documentación suministrada con el rack.



PRECAUCIÓN: debido al tamaño y al peso de las puertas del armario rack, nunca debe intentar montarlas ni desmontarlas sin ayuda.

Con esto ha terminado la instalación del sistema en un armario rack de cuatro postes.

Instalación del rack de dos postes

El kit de rack de dos postes se utiliza para instalar un sistema en un rack abierto de dos postes, como los que se encuentran en las instalaciones de equipos de telecomunicaciones. Admite racks de dos postes de 7,62 cm o 15,24 cm de anchura, con separación universal o ancha entre orificios. Puede instalar este kit en una configuración de montaje centrado o a ras.

Debe fijar de forma adecuada el rack de dos postes al suelo, al techo o a la pared y, si procede, a otros racks adyacentes, mediante dispositivos de fijación para el suelo y la pared; los cortes o soldaduras se deben efectuar según los estándares o la aprobación del fabricante del rack o bien siguiendo las normas industriales al respecto. Antes de iniciar la instalación, consulte la documentación de racks de dos postes del fabricante para consultar las advertencias de seguridad.



PRECAUCIÓN: no intente instalar el sistema en un rack abierto de dos postes que no se haya fijado en su ubicación de forma segura. Si no sigue esta precaución, el sistema puede resultar dañado y usted u otras personas podrían lesionarse.

Consulte la sección “Instrucciones de seguridad” para ver información de seguridad adicional sobre la instalación del rack.

Herramientas y material recomendados

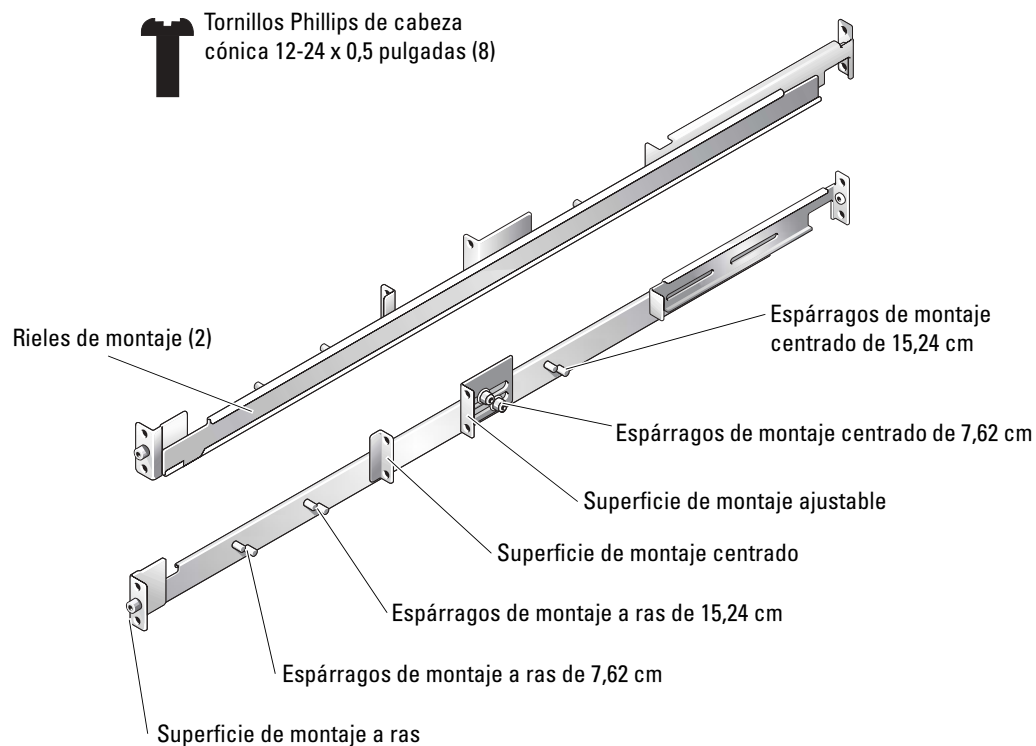
- Destornillador Phillips del n° 2
- Llave de tuerca de 3/8 pulgadas (si se cambia al montaje a ras)
- Cinta adhesiva o rotulador de punta de fieltro para marcar los orificios de montaje

Contenido del kit de rack

El kit de rack de dos postes incluye (consulte la figura 1-10):

- Un par de rieles de montaje
- Tornillos Phillips de cabeza cónica 12-24 x 0,5 pulgadas (8)
- Abrazaderas desmontables (2) (no se muestran en la figura 1-10)

Figura 1-10. Componentes del kit de rack de dos postes



Tareas de instalación

Para instalar un kit de rack de dos postes se deben realizar las tareas siguientes en el orden indicado:

- 1 Marcado del rack
 - Rack con separación universal entre orificios
 - Rack con separación ancha entre orificios
- 2 Instalación de los rieles de montaje en el rack
 - Montaje centrado
 - Montaje a ras
- 3 Instalación del sistema en el rack
- 4 Cableado

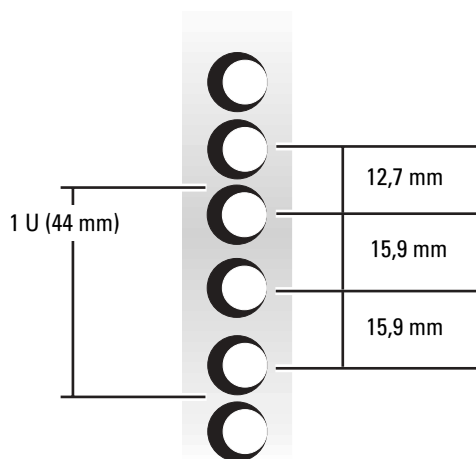
Marcado del rack

Debe dejar 1 U (44 mm) de espacio vertical para cada sistema que monte en el rack de dos postes.

Racks con separación universal entre orificios

Los racks con separación universal entre orificios tienen un patrón alterno de tres orificios por unidad de rack con una separación entre orificios de centro a centro (comenzando por el orificio superior de un espacio 1-U) de 15,9 mm, 15,9 mm y 12,7 mm para la columna de orificios verticales frontal y posterior (consulte la figura 1-11).

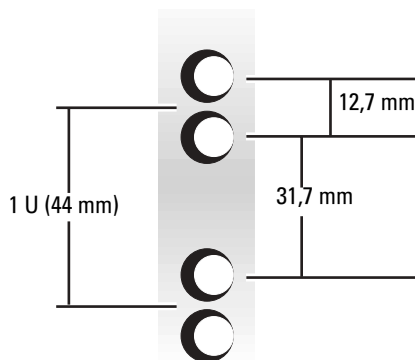
Figura 1-11. Separación universal entre los orificios en un rack abierto de dos postes



Racks con separación ancha entre orificios

Los racks con separación ancha entre orificios tienen un patrón alterno de dos orificios por unidad de rack con un espacio entre orificio de centro a centro (comenzando por el orificio superior de un espacio de 1-U) de 31,7 mm y 12,7 mm para las columnas de orificios verticales frontal y posterior (consulte la figura 1-12).

Figura 1-12. Separación ancha entre los orificios en un rack abierto de dos postes



Para marcar el rack, realice los pasos siguientes:

- 1 Marque los rieles verticales frontales en los que desee colocar la parte inferior del sistema que está instalando en el rack de dos postes.

La parte inferior de cada espacio 1-U se encuentra en el centro de la zona metálica más estrecha entre los orificios.

NOTA: si el rack tiene una separación ancha entre orificios, vaya al paso 3.

- 2 Coloque una marca a 44 mm por encima de la marca original que ha realizado (o cuente tres orificios en un rack con separación universal entre orificios) (consulte la figura 1-11).

Cada 1 U (44 mm) de espacio vertical en un rack con separación universal entre orificios tiene tres orificios con separación de centro a centro entre orificios (empezando por la parte superior de un espacio de 1 U) de 15,9 mm, 15,9 mm y 12,7 mm (consulte la figura 1-11).

NOTA: si el rack tiene una separación universal entre orificios, el procedimiento de marcado del rack ha finalizado.

- 3 Coloque una marca a 44 mm por encima de la marca original que ha realizado (o cuente hasta el siguiente orificio del rack si éste tiene una separación ancha entre orificios) (consulte la figura 1-12).

Cada 1 U (44 mm) de espacio vertical en un rack con separación ancha entre orificios tiene dos orificios con separación de centro a centro entre ellos (empezando en la parte superior de un espacio de 1 U) de 31,7 mm (consulte la figura 1-12).

Instalación de los rieles de montaje

Puede instalar los rieles de montaje en un rack abierto de dos postes que tenga separación universal entre orificios (consulte la figura 1-11) o separación ancha entre orificios (consulte la figura 1-12). Puede instalar los rieles de montaje en una configuración de montaje centrado o a ras.



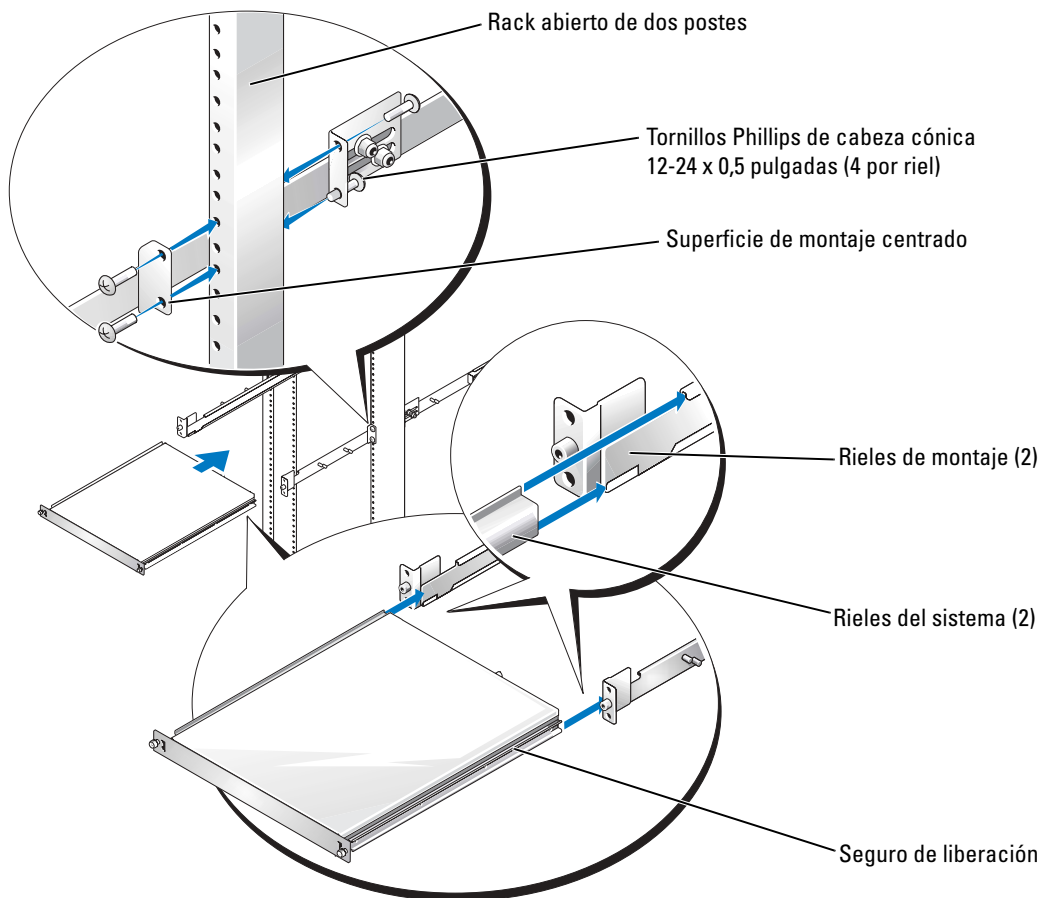
PRECAUCIÓN: no monte otro sistema utilizando este kit de rack. Utilice únicamente el kit de rack diseñado para su sistema. Si utiliza un kit de rack para otro sistema, el sistema puede resultar dañado y usted u otras personas podrían lesionarse.

Instalación centrada

El kit de rack de dos postes se entrega con los soportes configurados para un montaje centrado de 7,62 cm de ancho. Para ver los componentes de rieles de montaje, consulte la figura 1-10. Para completar la instalación, realice los pasos siguientes:

- 1 Localice el riel de montaje derecho y empuje el soporte de montaje ajustable hacia la parte posterior del riel de montaje (consulte la figura 1-13).
- 2 Coloque el riel de montaje derecho en el rack de dos postes en la posición que haya marcado, empuje el soporte de montaje ajustable de montaje centrado hacia el rack de dos postes vertical y, por último, fije la superficie de montaje y el soporte de montaje ajustable al rack mediante cuatro tornillos Phillips de cabeza cónica 12-24 x 0,5 pulgadas (consulte la figura 1-13).
- 3 Repita el paso 1 y el paso 2 para instalar el riel de montaje izquierdo en el rack.

Figura 1-13. Instalación de los rieles de montaje para una configuración de montaje centrado



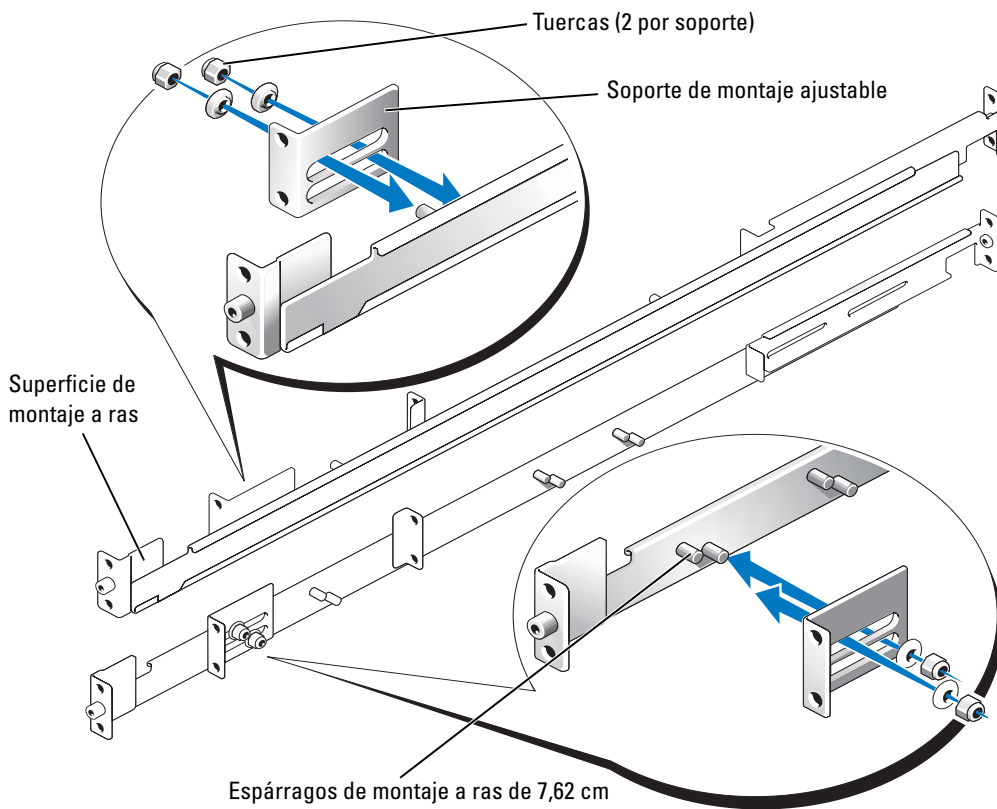
Montaje a ras

El kit de rack de dos postes se entrega con los soportes configurados para un montaje centrado de 7,62 cm de ancho. Para ver los componentes de rieles de montaje, consulte la figura 1-10. Para preparar los rieles de montaje para la instalación a ras en el rack de dos postes, siga estos pasos:

- 1** Localice los dos rieles de montaje y colóquelos uno al lado del otro en una superficie lisa, con los extremos frontales de los rieles de montaje orientados hacia usted (consulte la figura 1-14).
- 2** Mediante una llave de tuerca de 3/8 pulgadas, extraiga las dos tuercas del soporte de montaje ajustable (consulte la figura 1-14).
- 3** Extraiga el soporte y colóquelo en los espárragos de montaje a ras de 7,62 cm o 15,24 cm (consulte la figura 1-14).

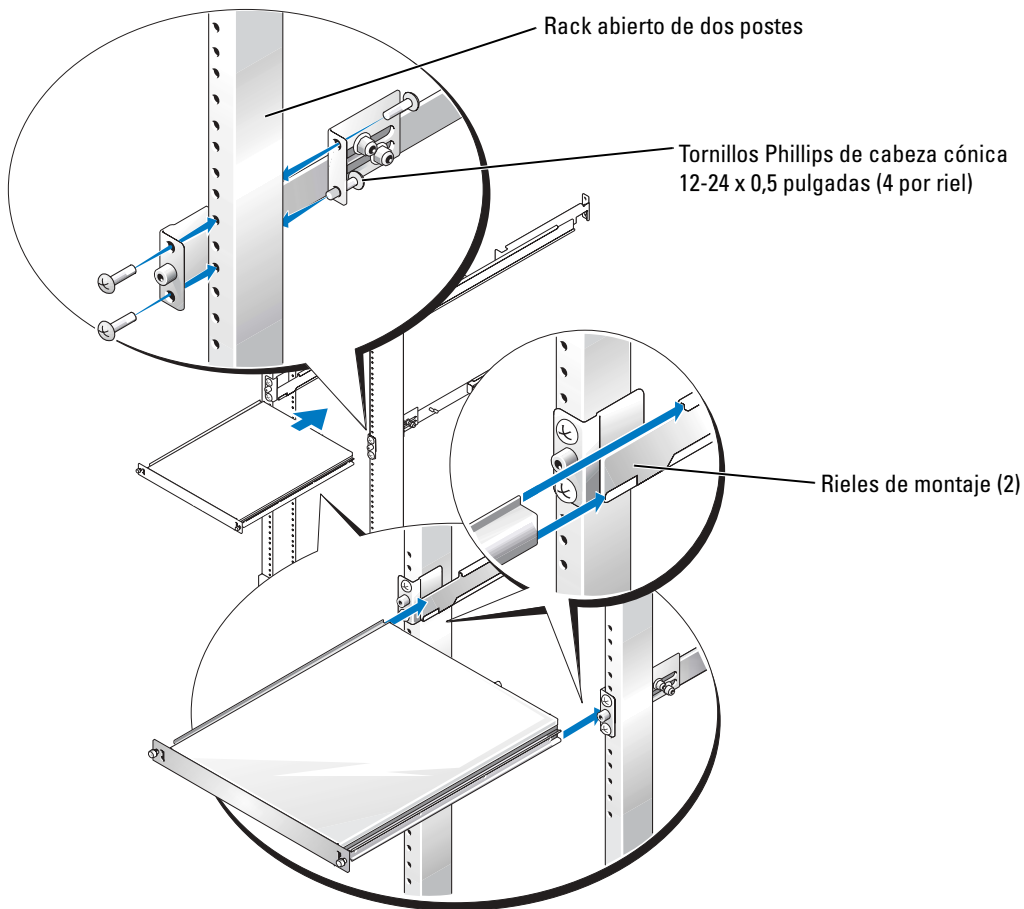
- 4 Apriete las dos tuercas que ha extraído en el paso 2 para fijar el soporte de montaje ajustable (consulte la figura 1-14).
- 5 Repita del paso 2 al paso 4 para montar el otro riel de montaje.

Figura 1-14. Configuración del soporte de montaje ajustable para el montaje a ras



- 6 Coloque el riel de montaje izquierdo en la ubicación que ha marcado, coloque firmemente la superficie de montaje a ras contra la parte frontal del rack de dos postes vertical y fíjela al riel de dos postes con dos tornillos Phillips de cabeza cónica 12-24 x 0,5 pulgadas (consulte la figura 1-15).
- 7 Deslice el soporte de montaje ajustable de modo que quede colocado contra la parte posterior del rack de dos postes vertical y fíjelo al riel de dos postes mediante dos tornillos Phillips de cabeza cónica 12-24 x 0,5 pulgadas (consulte la figura 1-15).
- 8 Repita el paso 6 y el paso 7 para instalar el riel de montaje derecho en el rack.
- 9 Mediante una llave de tuerca de 3/8 pulgadas, apriete las tuercas de los soportes de montaje ajustables de los dos rieles de montaje.

Figura 1-15. Instalación de los rieles de montaje para una configuración de montaje a ras



Instalación del sistema en el rack

Para obtener instrucciones, consulte “Instalación del sistema en el rack” en “Instalación del rack de cuatro postes”.

Instalación de las abrazaderas desmontables

Para obtener instrucciones, consulte “Instalación de las abrazaderas desmontables” en “Instalación del rack de cuatro postes”.

Ha completado la instalación del kit de rack en un rack de dos postes.

Índice

A

abrazaderas
instalar, 137

C

colocar las puertas
del rack, 130

contenido del kit
rack de dos postes, 131
RapidRails, 120
VersaRails, 120-121, 129

E

extraer sistema
rack de cuatro postes, 130

H

herramientas y material
kit de rack de dos postes, 131
kit para rack de
cuatro postes, 119

I

instalar
abrazaderas para rack
de cuatro postes, 129
abrazaderas para rack
de dos postes, 137
kit de rack de
cuatro postes, 125
kit de rack de dos postes, 130
módulos de rieles
estáticos, 126
rieles de montaje en rack
de dos postes, 134-135
rieles de montaje
RapidRails, 125
rieles de montaje
VersaRails, 126-127
sistema en rack
de cuatro postes, 127
sistema en rack
de dos postes, 137

instrucciones de
seguridad, 117

K

kit de rack de dos postes
contenido del kit, 131
herramientas y material, 131
instalar el sistema, 137
instalar rieles de montaje, 134
marcar el rack, 132

kit para rack de cuatro postes
contenido del kit
RapidRails, 120
contenido del kit
VersaRails, 120
herramientas y material, 119

M

marcar el rack
kit de rack de
cuatro postes, 122
kit de rack de
dos postes, 132-133
montaje a ras, 135

P

pies estabilizadores
del rack, 119

precauciones
para el montaje
del rack, 118

puertas
extraer, 122
sustituir, 130

R

rack de cuatro postes
extraer sistema, 130

RapidRails

contenido del kit, 120

requisitos del rack

para VersaRails, 119

rieles verticales

marcar, 122

una unidad de rack, 122

U

unidad de rack, 122

V

VersaRails

contenido

del kit, 120-121, 129

instalar, 126-127